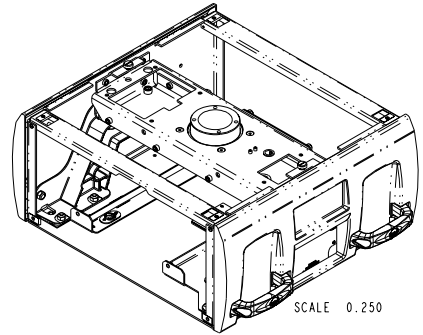
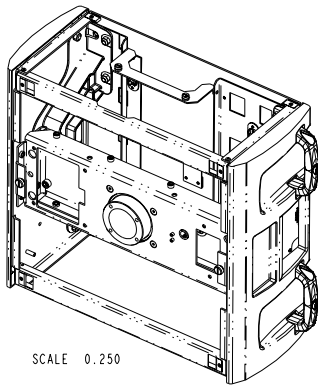
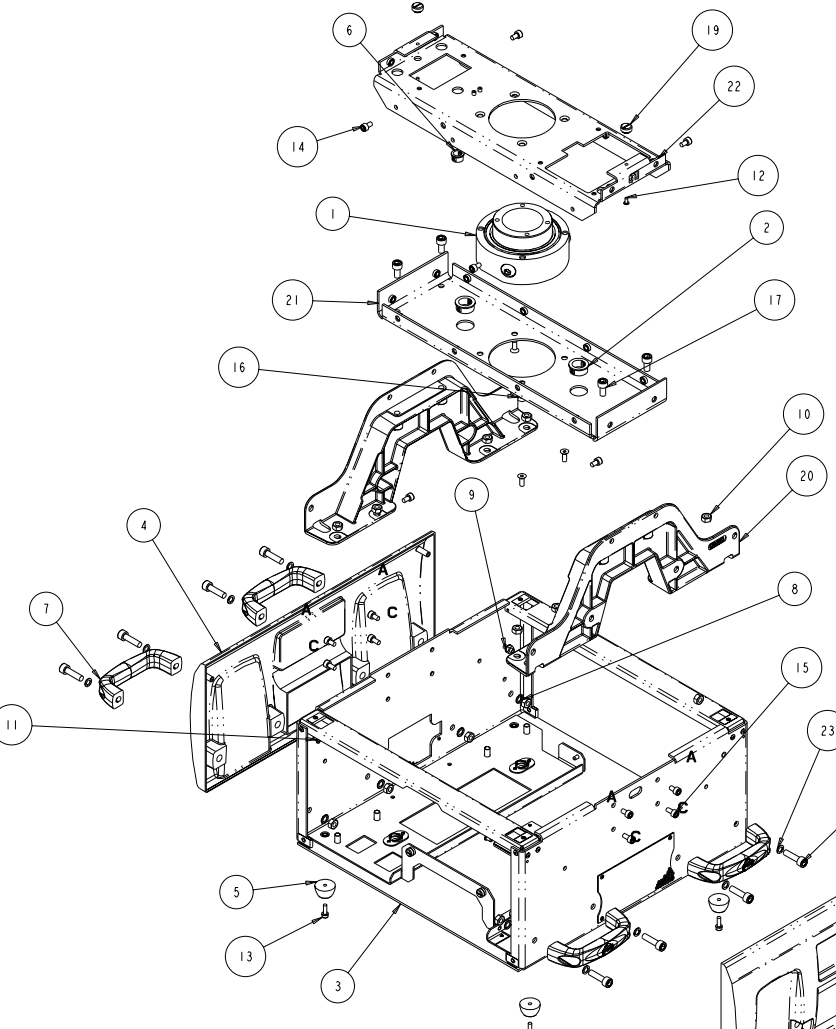


DBA011

REV.	DESCRIPTION	DATE	ENG	ECO #	APPR
4	WAS 06 LG. NOW 08 LG SCREW FOR TOP COVR HOLDERS	21SEP04	LR		
5	M8 X 25 NOW M8 X 30.;ADD M8 LOCK WASHERS	01OCT04	LR		
6	ADD/ CORRECT HARDWARE	06OCT04	LR		
7	ADD/CORRECT HARDWARE	18NOV04	DF		



ITEM NO.	QTY.	FILENAME	PART NO.	REV	DESCRIPTION
23	8	WASHER318_500_040	90706101		WASHER, .040 X .318 ID X .500 OD
22	1	DB105	99260455	-	SUPPORT, UPPER, PAN BEARING DL2
21	1	DB104	99260454	-	SUPPORT, LOWER, PAN BEARING DL2
20	2	DB250	99260452	A	SUPPORT, BEAM, CAST TOP BOX, DL2
19	2	DB306	80071851	A	STUD, PANEL RETAINER, DL2
18	8	SCREWM8AC30SS	91100830	.	SCREW, M8 SOCKET 30 SS
17	4	SCREWM8AC16SSP	91100816	.	SCREW, M8 SOCKET 16 SS W/PATCH
16	8	SCREWM6AF16SBZ	91040616	.	SCREW, M6 SOCKET CSNK FLAT 16 BZ NYTEMP
15	4	SCREWM6AC12SSP	91100612	.	SCREW, M6 SOCKET 12 SS W/PATCH
14	12	SCREWM6AC10SS	91100610	.	SCREW, M6 SOCKET 10 SS W/PATCH
13	4	SCREWM5AC16BZ	91000516	.	SCREW, M5 SOCKET CAP 16 BZ SEMS
12	2	SCREWM4A08BZP	91010408	.	SCREW, M4 BUTTON 08 BZ W/PATCH
11	4	SCREW6-19PPB0380BZ	90709117	-	SCREW, 6-19 PHIL PAN PLASTITE 3/8 BZ
10	16	NUT-M8X0125S	90703007	-	NUT, M8 HEX NUT SZ
9	1	NUTM6KEP	91201206	-	NUT, M6 KEPS
8	8	WASHER_M8_LOCK_EXT	91109108	.	LOCKWASHER, M8 EXTERNAL TOOTH SZ TS2
7	4	SW214	90720005	A	HANDLE, SMALL W/ LOGO
6	1	BUSHING500SNAP	90410102	-	GROMMET, SNAP BUSHING .50 ID
5	4	RUBBER_FOOT	90410089	-	FOOT, RUBBER STC/NH LONG
4	2	DB201	99220033	-	COVER, SIDE, TOP BOX DL2
3	1	DBA009	80071852	A	CHASSIS ASSY, TOP BOX DL2
2	2	BUSHING-HEYCO-2140	90410030	-	BUSHING, SNAP 1" F100
1	1	DBA035	80460006	-	BEARING ASSY, PAN DL2, LB

UNLESS OTHERWISE SPECIFIED: RELEASE DATE: CE: High End 2105 GRACY FARMS LANE AUSTIN, TEXAS 78758 (512) 836-2242 FAX (512) 832-4128 http://www.highend.com

FOR PAINTED PARTS REFER TO ENG. SPEC. MANUAL WI-0592 MATERIAL: CHARTED FINISH: NA

DESCRIPTION: CHASSIS ASM, TOP BOX DL2

MIN. DRAFT MIN. RADII FLATNESS THICKNESS VOLUME

INTERPRET DIMENSIONS PER ASME Y14.5M-1994 THIRD ANGLE PROJECTION DIMENSIONS ARE IN MILLIMETERS

SI METRIC A1

PART NO. INTERNAL DBA011

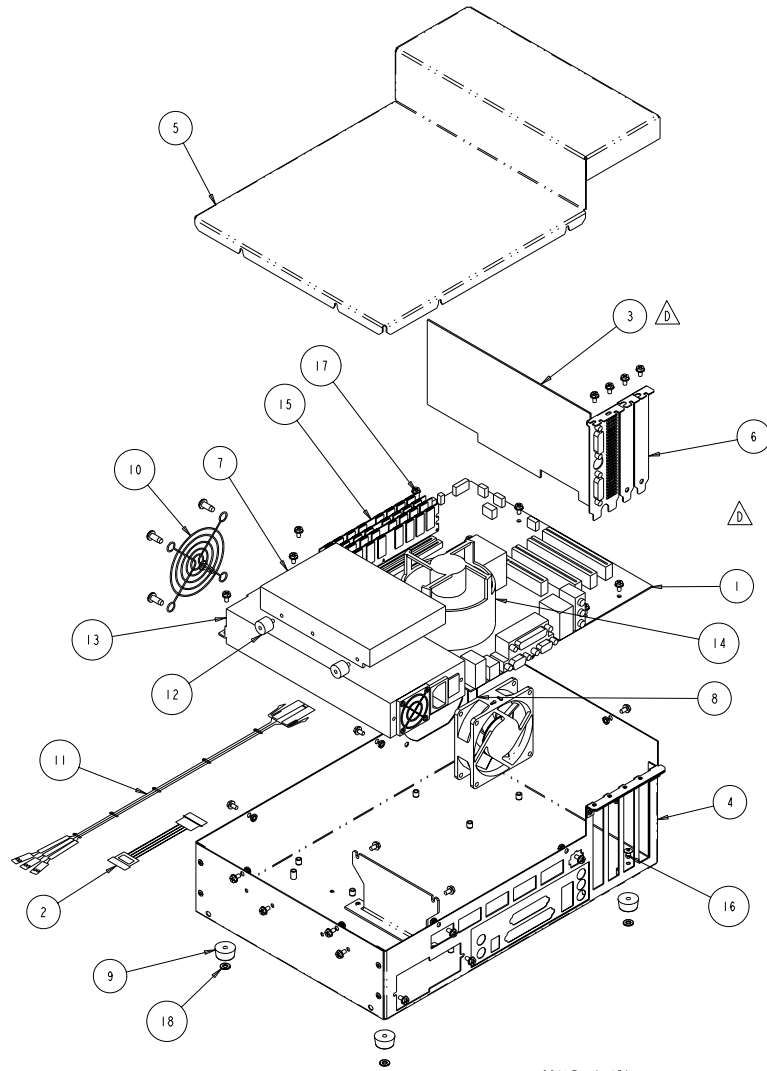
DRAWING NO. DBA011

REV. NA

DO NOT SCALE SCALE: 0.300 SHEET: 1 OF 1

**PROPRIETARY NOTICE:**  
 THIS DOCUMENT CONTAINS CONFIDENTIAL AND PROPRIETARY INFORMATION OF HIGH END SYSTEMS INC., (ALSO DBA LIGHTWAVE RESEARCH) AND IS GIVEN TO THE RECEIVER IN CONFIDENCE. THE RECEIVER ACCEPTS AND AGREES THAT, EXCEPT AS AUTHORIZED BY HIGH END SYSTEMS, THE RECEIVER WILL NOT PERMIT THE USE OF THE DOCUMENT OR ANY COPY THEREOF ON THE INFORMATION THEREIN. WILL NOT COPY OR PERMIT COPYING THE DOCUMENT WILL NOT DISCLOSE TO OTHERS EITHER THE DOCUMENT OR THE INFORMATION THEREIN, AND WILL UPON COMPLETION OF THE NEED TO RETAIN THE DOCUMENT, OR UPON DEMAND, RETURN THE DOCUMENT WITHOUT RETAINING ANY OF THE INFORMATION CONTAINED THEREIN IN ANY FORM WHATSOEVER.

DBA010



SCALE 0.450

REV.	DESCRIPTION	DATE	ENG	ECO #	APPR
8	CHASSIS SLOT REDESIGN:;FAN GRILL ADDED	16DEC04	LR		
9	REPLACE 300W PWR SUP W/350W; MOVE PWR SUP MNT HOLES IN CHASSIS	06JAN04	LR		
10	REPLACE GROMMET STYLE HARD DRV MNT SCHEME WITH (2X) ISOLATORS; ADD (2X) RAM; REPLACE VIDEO CAPTURE CARD W/ ADDITIONAL VENTED STEM	31MAR05	LR		
11	CHANGED PROCESSOR PN: 90904003 TO PN: 90904005, CHANGED MOTHERBOARD PN: 90903001 TO PN: 90903008 REMOVED WIRELESS CARD, REMOVED ONE VENTED STEM, ADDED TWO BLANK STEMS, ADDED HARNESS PN:90409192	03MAY05	DF		
12	ADDED PN: 90409226 (DB717) CABLE ASSY	27MAY05	DF		
-	RELEASE TO PRODUCTION, EQUIVALENT TO REV 12	27MAY05	DF		
A	HARD DRV MNT SCREWS WAS PAN HEAD, NOW HEX HEAD	15JUN05	LR	#1730	DF
B	SCREWS: WAS M3.5, NOW 6-32 PHIL HEX; CHG TO H/O FAN; ITEM CHG (DBA022) ADVANCE REV ON BOM	30JUN05	LR	#1742	DF
C	REMOVED PN 90709073; CHANGE PN90711055 QTY. FROM 26 TO 29; ITEM CHG (DBA022) ADVANCE REV ON BOM	19JUL05	DF	#1748	DF
D	VIDEO CARD: WAS: 90902037 NOW: 90902040; DELETED VENTED SLOT COVER (80071863); REVERSED AIR FLOW THRU ENCLOSURE	04AUG05	DF	#1767	

ITEM NO.	QTY.	FILENAME	PART NO.	REV	DESCRIPTION
18	4	WASHER8-32S	90706009		WASHER, #8 FLAT SS .174 X .375 X .032
17	29	SCREW6-32PHW250SZ	90711055		SCREW, 6-32 PHIL HEX WSHR HEAD 1/4 SZ
16	4	RIVET54A0B	90701197		RIVET, 5/32 DOME .188 - .250 ALUMINUM
15	4	CARD_RAM_240-PIN	90903002		RAM, 240 PIN DDR2512MB 533MHZ
14	1	DB460	90904005		PROCESSOR, INTEL P4 540
13	1	DB440	90904004		POWER SUPPLY, 350W CPU, DL2
12	2	MOUNT6-32RUBBER.M-F	90410149		MOUNT, RUBBER, 6-32 THD M-F
11	1	DB709	90409192		HARNESS, MOTHERBOARD RESET DL2
10	1	GRILL_80MM-FAN	99190091		GRILL, 80MM FAN
9	4	FOOT_77_PLASTIC	90410144		FOOT, .77 OD x .16 ID x.38H PLASTIC
8	1	FAN_80MM_12V_TACH-HO	90605032		FAN, 80 X 25MM, 12V, W/TACH, 12" LEAD, HO
7	1	DISK_DRIVE80G_SATA	90903003		DISC DRIVE, SEAGATE 80 GB 7200RPM SATA
6	2	KEYSTONE_9200	99220038		COVER, EXPANSION SLOT, BLANK
5	1	DB122	99220037	A	COVER, CHASSIS CPU, DL2
4	1	DBA022	80110036	C	CHASSIS, ASSY ENCLOSURE, CPU, DL2
3	1	DB441	90902040		CARD, VIDEO, ATI RADEON X850 XT PE 256M
2	1	DB717	90409226		CABLE, SERIAL ATA POWER 6"
1	1	DB465	90903002		BOARD, MOTHER INTEL D915GX

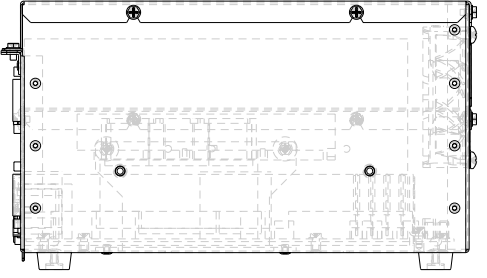
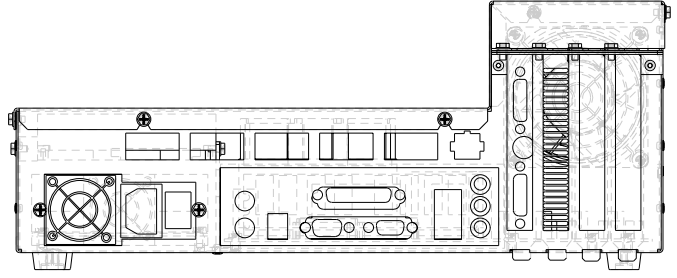
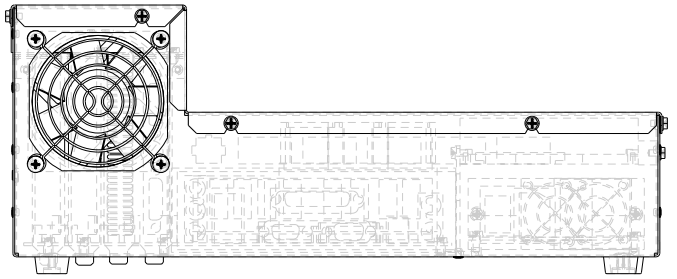
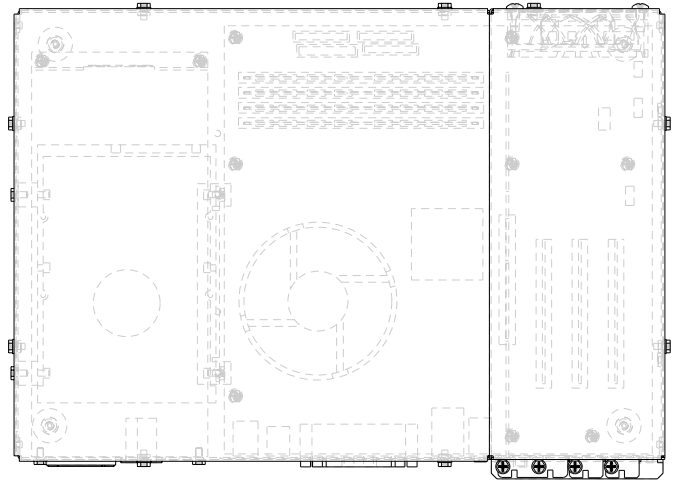
BILL OF MATERIALS

UNLESS OTHERWISE SPECIFIED	RELEASE DATE: 27MAY05	CE:	High End	2105 GRACY FARMS LANE	
DIMENSIONAL TOLERANCES:	ENG: D. FRANKLIN	OA:		AUSTIN, TEXAS 78758	
0 PLACE DECIMAL = ±0.38				(512) 836-2242	
1 PLACE DECIMAL = ±0.25				FAK (512) 832-4128	
2 PLACE DECIMALS = ±0.13				***** http://www.highend.com	
ANGLES = ±0.5°					
FOR PAINTED PARTS REFER TO ENG. SPEC. MANUAL WI-0592	ENCLOSURE ASSY, COMPLETE, CPU DL2	DESCRIPTION:			
MIN. DRAFT	MATERIAL: CHARTED	FINISH:	NA		
MIN. RADI1	INTERPRET DIMENSIONS PER ASME Y14.5M-1994	PART NO.	80110037	DRAWING NO.	DBA010
FLATNESS	THIRD ANGLE PROJECTION				REV. D
THICKNESS	DIMENSIONS ARE IN MILLIMETERS	SI METRIC A1			
VOLUME			DO NOT SCALE	SCALE: 0.630	SHEET: 1 OF 2

PROPRIETARY NOTICE:  
 THIS DOCUMENT CONTAINS CONFIDENTIAL AND PROPRIETARY INFORMATION OF HIGH END SYSTEMS INC., (ALSO DBA LIGHTWAVE RESEARCH) AND IS GIVEN TO THE RECEIVER IN CONFIDENCE. THE RECEIVER ACCEPTS AND AGREES THAT, EXCEPT AS AUTHORIZED BY HIGH END SYSTEMS, THE RECEIVER WILL NOT PERMIT THE USE OF THE DOCUMENT OR ANY COPY THEREOF OR THE INFORMATION THEREIN, WILL NOT COPY OR PERMIT COPYING THE DOCUMENT OR THE INFORMATION THEREIN, AND WILL UPON COMPLETION OF THE NEED TO RETAIN THE DOCUMENT, OR UPON DEMAND, RETURN THE DOCUMENT WITHOUT RETAINING ANY OF THE INFORMATION CONTAINED THEREIN IN ANY FORM WHATSOEVER.

DBA010

REV.	DESCRIPTION	DATE	ENG	ECO #	APPR

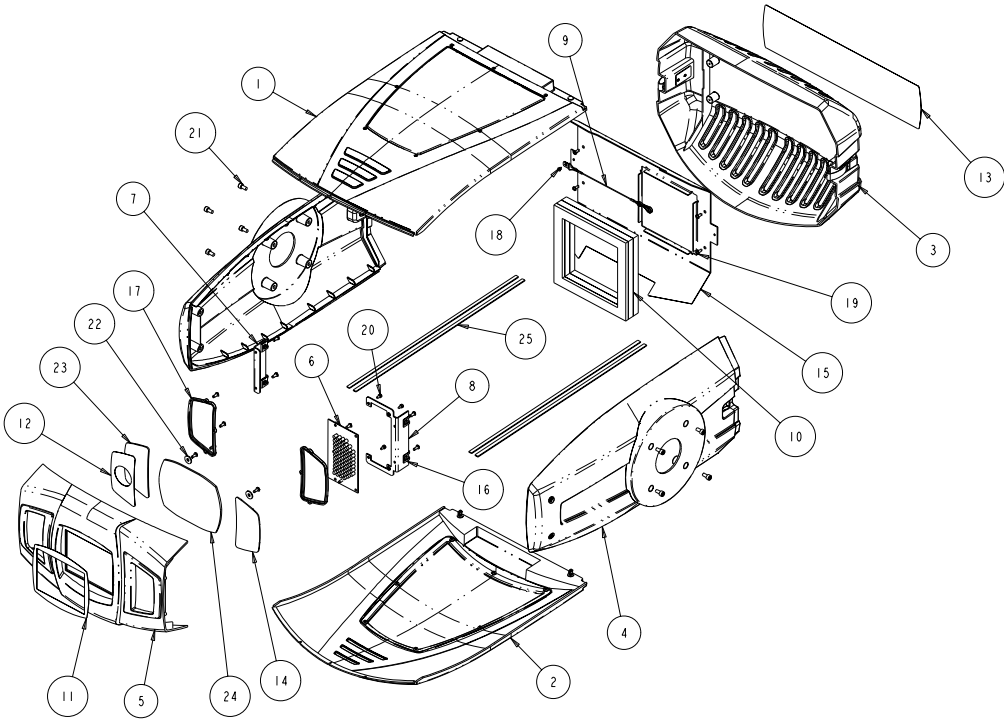


**PROPRIETARY NOTICE:**  
 THIS DOCUMENT CONTAINS CONFIDENTIAL AND PROPRIETARY INFORMATION OF HIGH END SYSTEMS INC., (ALSO DBA LIGHTWAVE RESEARCH) AND IS GIVEN TO THE RECEIVER IN CONFIDENCE. THE RECEIVER ACCEPTS AND AGREES THAT, EXCEPT AS AUTHORIZED BY HIGH END SYSTEMS, THE RECEIVER WILL NOT PERMIT THE USE OF THE DOCUMENT OR ANY COPY THEREOF ON THE INFORMATION THEREIN. WILL NOT COPY OR PERMIT COPYING THE DOCUMENT WILL NOT DISCLOSE TO OTHERS EITHER THE DOCUMENT OR THE INFORMATION THEREIN, AND WILL UPON COMPLETION OF THE NEED TO RETAIN THE DOCUMENT, OR UPON DEMAND, RETURN THE DOCUMENT WITHOUT RETAINING ANY OF THE INFORMATION CONTAINED THEREIN IN ANY FORM WHATSOEVER.

UNLESS OTHERWISE SPECIFIED: DIMENSIONAL TOLERANCES: 0 PLACE DECIMAL = ±0.38 1 PLACE DECIMAL = ±0.25 2 PLACE DECIMALS = ±0.13 ANGLES = ±0.5°	RELEASE DATE: 27MAY05 ENG: D. FRANKLIN ME: MEG: DRW: K. BICKERS	CE: OA: DRW: K. BICKERS	High End  2105 GRACY FARMS LANE AUSTIN, TEXAS 78758 (512) 836-2242 FAX (512) 832-4128 ***** http://www.highend.com		
FOR PAINTED PARTS REFER TO ENG. SPEC. MANUAL WI-0592	MATERIAL: CHARTED	FINISH: NA	DESCRIPTION: ENCLOSURE ASSY, COMPLETE, CPU DL2		
MIN. DRAFT	MIN. RADII	FLATNESS	THICKNESS	VOLUME	
INTERPRET DIMENSIONS PER ASME Y14.5M-1994 THIRD ANGLE PROJECTION DIMENSIONS ARE IN MILLIMETERS		SI METRIC <b>A1</b>	PART NO. <b>80110037</b>	DRAWING NO. <b>DBA010</b>	REV. <b>D</b>
DO NOT SCALE		SCALE: 0.750	SHEET: 2 OF 2		

DBA005

REV.	DESCRIPTION	DATE	ENG	ECO #	APPR
2	SAFETY CABLE CLIP NOW SAFETY CABLE ASSY	10SEP04	LR		
3	SAFETY CABLE NOW RIVETED.;ADD MORE SCREWS	15SEP04	LR		
4	CORRECT LENS CALLOUT.;ADD STRIPS	04OCT04	LR		



25	.167	CAT505_4	99190022	-	TAPE, FOAM WEATHER 1/4" X 17: STRIP 24/SHEET
24	1	CAT401	80530074	A	WINDOW, MAIN, FRONT BEZEL DLI
23	1	CAT455	80530075	B	WINDOW, CAMERA, FRONT BEZEL, DLI
22	2	SPI32	90706083	A	WASHER, THRUST, OPTICAL MODULE ASSY
21	8	SCREWM5AC10SSP	91100510	.	SCREW, M5 SOCKET 10 SS, W/PATCH
20	4	SCREWM3AC06BZ	91000306	.	SCREW, M3 SOCKET CAP 06 BZ SEMS
19	16	SCREW6-19PPB0380BZ	90709117	.	SCREW, 6-19 PHIL PAN PLASTITE 3/8 BZ
18	1	RIVET41-43DMG	90701160	I	RIVET, 41-43 DOME MULTIGRIP
17	2	CAT203	80450082	-	RETAINER, WINDOW, FRONT BEZEL, DLI
16	4	RECEPT.25TURN_MED	90722018	.	RECEPTICAL, 1/4 TURN, CLIP-ON, MEDIUM
15	1	CAT104	80071794	A	PLATE, AIRDAM, REAR, HEAD BLK DLI
14	1	CAT216	99090069	B	LENS, IR / CAMERA, RED DLI
13	1	DB452	99310413	I	LABEL, REAR BEZEL, DL2
12	1	CAT453	99310404	-	LABEL, LENS, CAMERA, DLI
11	1	DB451	99310412	I	LABEL, APERATURE, DL2
10	1	CAT501	90701346	A	GASKET, REAR SEAL, DLI
9	1	CAT500	90701345	C	CABLE, SAFETY W/CLIP, DLI
8	1	CAT168	99260443	-	BRACKET, LED ILLUMINATOR, VER 2 DLI
7	1	CAT169	99260444	A	BRACKET, FRONT COVER MOUNT, VER 2, DLI
6	1	CAT412	80060009	.	BOARD, IR ILLUMINATOR ASSY
5	1	CAT209	99350075	B	BEZEL, FRONT HEAD, DLI
4	2	CATA052	80450078	B	BEZEL, ASSY, SIDE, HEAD DLI
3	1	CATA051	80450077	-	BEZEL, ASSY, REAR, HEAD DLI
2	1	CATA054	80450080	A	BEZEL, ASSY, HEAD COVER, VENTILATED, DLI
1	1	CATA053	80450079	A	BEZEL, ASSY, HEAD COVER, UNVENTILATED, DLI

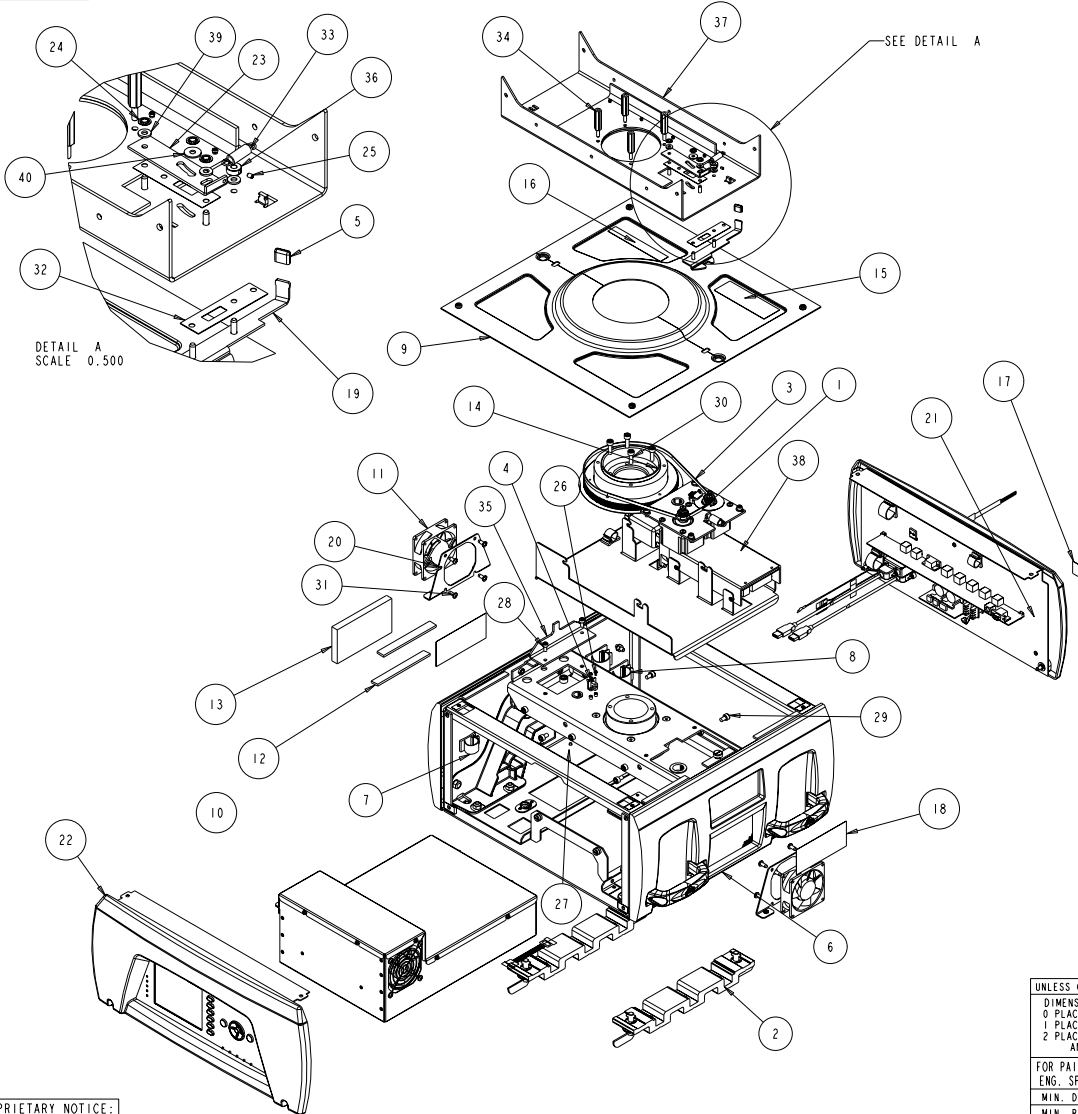
ITEM NO. QTY. FILENAME PART NO. REV DESCRIPTION

BILL OF MATERIALS

UNLESS OTHERWISE SPECIFIED:	RELEASE DATE:	CE:	2105 GRACY FARMS LANE AUSTIN, TEXAS 78758 (512) 836-2242 FAX (512) 832-4128 ***** http://www.highend.com	
DIMENSIONAL TOLERANCES:	ENG:	OA:		
0 PLACE DECIMAL = ±0.38	ME:			
1 PLACE DECIMAL = ±0.25	MEG:	DRW: LARRY R		
2 PLACE DECIMALS = ±0.13	ANGLES = ±0.5°	DESCRIPTION:	COVERS, SUB-ASSY TOP LEVEL DL2	
FOR PAINTED PARTS REFER TO ENG. SPEC. MANUAL WI-0592	MATERIAL:	FINISH:	NA	
MIN. DRAFT	CHARTED			
MIN. RADII	INTERPRET DIMENSIONS PER	SI METRIC	PART NO.	DRAWING NO.
FLATNESS	ASME Y14.5M-1994	A1	INTERNAL	DBA005
THICKNESS	THIRD ANGLE PROJECTION		DO NOT SCALE	SCALE: 0.250
VOLUME	DIMENSIONS ARE IN MILLIMETERS			SHEET: 1 OF 1

**PROPRIETARY NOTICE:**  
 THIS DOCUMENT CONTAINS CONFIDENTIAL AND PROPRIETARY INFORMATION OF HIGH END SYSTEMS INC., (ALSO DBA LIGHTWAVE RESEARCH) AND IS GIVEN TO THE RECEIVER IN CONFIDENCE. THE RECEIVER ACCEPTS AND AGREES THAT, EXCEPT AS AUTHORIZED BY HIGH END SYSTEMS, THE RECEIVER WILL NOT PERMIT THE USE OF THE DOCUMENT OR ANY COPY THEREOF ON THE INFORMATION THEREIN. WILL NOT COPY OR PERMIT COPYING THE DOCUMENT WILL NOT DISCLOSE TO OTHERS EITHER THE DOCUMENT OR THE INFORMATION THEREIN, AND WILL UPON COMPLETION OF THE NEED TO RETAIN THE DOCUMENT, OR UPON DEMAND, RETURN THE DOCUMENT WITHOUT RETAINING ANY OF THE INFORMATION CONTAINED THEREIN IN ANY FORM WHATSOEVER.

DBA002



REV.	DESCRIPTION	DATE	ENG	ECO #	APPR
8	CHANGED HARDWARE FOR MODIFIED PAN LATCH DESIGN, ADDED HARDWARE FOR MODIFIED PAN DESIGN	23NOV04	DF		
9	REPLACE FAN W/ (2X) STUDIO BEAM FANS	15DEC04	LR		
10	ADDED PN: 90706083, ADDED PN: 90701187, CHANGED PN: 90706012 FROM 4 TO 3, CHANGED PN: 90701364 FROM 4 TO 3	31MAY05	DF		
11	ADDED PN: 90722021				

ITEM NO.	QTY.	FILENAME	PART NO.	REV	DESCRIPTION
40	1	SP132	90706083	A	WASHER, THRUST, OPTICAL MODULE ASSY
39	3	WASHER10-204X440SS	90706012		WASHER, FLAT #10 SS
38	1	DBA019	INTERNAL	NA	TRAY ASM, POWER SUPPLY, DL2
37	1	DB195	80071868	-	SUPPORT, REINFORCED YOKE BASE DL2
36	1	SW329	90701187	-	STOP, WHEEL RETAINER
35	1	DB129	99260461	B	STOP, PAN LOCK, DL2
34	4	DB330	91200667	-	STANDOFF, M5-0.8 X 42.7 HEX M-F STEEL
33	1	SPRING360.1120EXT	90701340	-	SPRING, EXTENSION .360 X 1.12 LG
32	2	DB210	99190090	-	SHIM, PAN LATCH, DL2
31	8	SCREW10-14PPF500	90709062	-	SCREW, PHIL PAN #10 X 1/2 PLASTITE SZ
30	4	SCREWM6AC20SS	91100620	-	SCREW, M6 SOCKET 20 SS
29	4	SCREWM6AC10SS	91100610	-	SCREW, M6 SOCKET 10 SS W/PATCH
28	2	SCREWM5AC10SSP	91100510	-	SCREW, M5 SOCKET 10 SS, W/PATCH
27	4	SCREWM4AC08BZ	91000408	-	SCREW, M4 SOCKET 08 BZ SEMS
26	2	SCREWM3AB06BZ	91010306	-	SCREW, M3 BUTTON 06 BZ NYTEMP
25	1	SCREW6-32AS188BZ	90707093	-	SCREW, 6-32 SOCKET SET 3/16 BO PTCH FT PT
24	3	RETAINER_PUSH_5MM	90701364	-	RETAINER, PUSH-ON, 5MM SHAFT
23	1	DB143	80070392	-	PLATE, DETENT, PAN LATCH, PLATED DL2
22	1	DBA006	INTERNAL	NA	PANEL ASSY, COMPLETE, CONTROL, DL2
21	1	DBA007	INTERNAL	NA	PANEL ASM, COMPLETE, I/O, DL2
20	2	DB103	99260453	-	MOUNT, EXHAUST FAN, TOP BOX DL2
19	1	DB134	80071849	B	LATCH, PAN LEVER
18	2	DB439	99310416	A	LABEL, SIDE, TOP BOX, DL2
17	1	LABEL_SERIAL_GENERIC	80590100	-	LABEL, SERIAL, GENERIC
16	1	LABEL_MFG_WARNING	99310399	-	LABEL, MANUFACTURERS WARNING DL1
15	1	DB453	99310414	-	LABEL, COMPLIANCE DL2
14	1	DBA015	INTERNAL	NA	GEAR ASSY, PAN DL2
13	1	DB512	80260015	-	FILTER, INTAKE TOP BOX DL2
12	2	VELCRO_STRIP_HOOK88	90722021	-	FASTENER, VELCRO, 5/8" WIDE W/P5A, HOOK 88
11	2	SY444	80270011	-	FAN, ASSY SUNON SP2 ST2
10	1	DBA010	80110037	D	ENCLOSURE ASSY, COMPLETE, CPU DL2
9	2	DBA024	80110035	A	COVER, ASSY UPPER, TOP BOX, DL2
8	2	CLIP_100_PUSH_ON_NY	90701359	-	CLIP, WIRE 1.00 DIA, PUSH MOUNT
7	1	CLIP_75_PUSH_ON_NY	90701358	-	CLIP, WIRE .75 DIA, PUSH MOUNT
6	1	DBA011	INTERNAL	NA	CHASSIS ASM, TOP BOX DL2
5	1	CAP_090X437ID_SILVER	90724014	-	CAP, .090 X .437 I.D., PUSH ON, NY, SILVER
4	1	FS709	80040022	-	BOARD, ASSY ME46 FLAG HOMING SENSOR
3	1	DB510	99360044	-	BELT, TIMING, 3MM HTD, 223 GROOVE, 6MM W
2	2	CATA032	80460003	A	ASSY, MOUNT, TRUSS, DLI EXTRUDED
1	1	DBA028	INTERNAL	NA	ASSY, MOTOR W/SENSOR, TOP BOX DL2

UNLESS OTHERWISE SPECIFIED: RELEASE DATE: CE: High End 2105 GRACY FARMS LANE AUSTIN, TEXAS 78758 (512) 836-2242 FAX (512) 832-4128 http://www.highend.com

ENG: ME: MFG: DRW: K. BICKERS

DESCRIPTION: ASSY, TOP BOX MAIN DL2

MATERIAL: NA FINISH: NA

FOR PAINTED PARTS REFER TO ENG. SPEC. MANUAL WI-0592

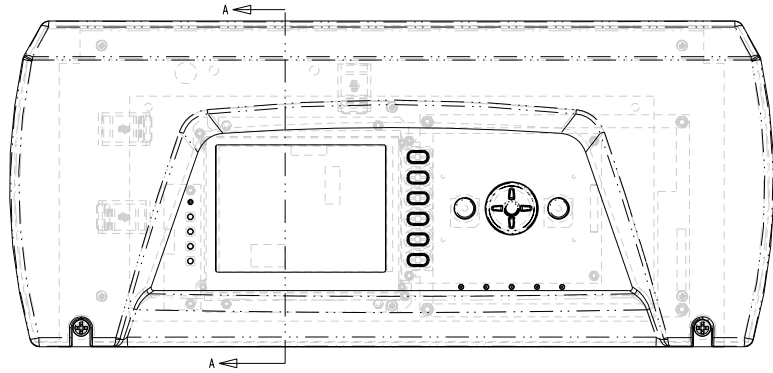
MIN. DRAFT: NA INTERPRET DIMENSIONS PER ASME Y14.5M-1994 THIRD ANGLE PROJECTION DIMENSIONS ARE IN MILLIMETERS

SI METRIC A1 PART NO. INTERNAL DBA002 DRAWING NO. DBA002 REV. NA

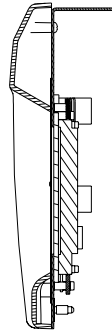
VOLUME DO NOT SCALE SCALE: 0.250 SHEET: 1 OF 1

**PROPRIETARY NOTICE:**  
 THIS DOCUMENT CONTAINS CONFIDENTIAL AND PROPRIETARY INFORMATION OF HIGH END SYSTEMS INC., (ALSO DBA LIGHTWAVE RESEARCH) AND IS GIVEN TO THE RECEIVER IN CONFIDENCE. THE RECEIVER ACCEPTS AND AGREES THAT, EXCEPT AS AUTHORIZED BY HIGH END SYSTEMS, THE RECEIVER WILL NOT PERMIT THE USE OF THE DOCUMENT OR ANY COPY THEREOF ON THE INFORMATION THEREIN. WILL NOT COPY OR PERMIT COPYING THE DOCUMENT WILL NOT DISCLOSE TO OTHERS EITHER THE DOCUMENT OR THE INFORMATION THEREIN, AND WILL UPON COMPLETION OF THE NEED TO RETAIN THE DOCUMENT, OR UPON DEMAND, RETURN THE DOCUMENT WITHOUT RETAINING ANY OF THE INFORMATION CONTAINED THEREIN IN ANY FORM WHATSOEVER.

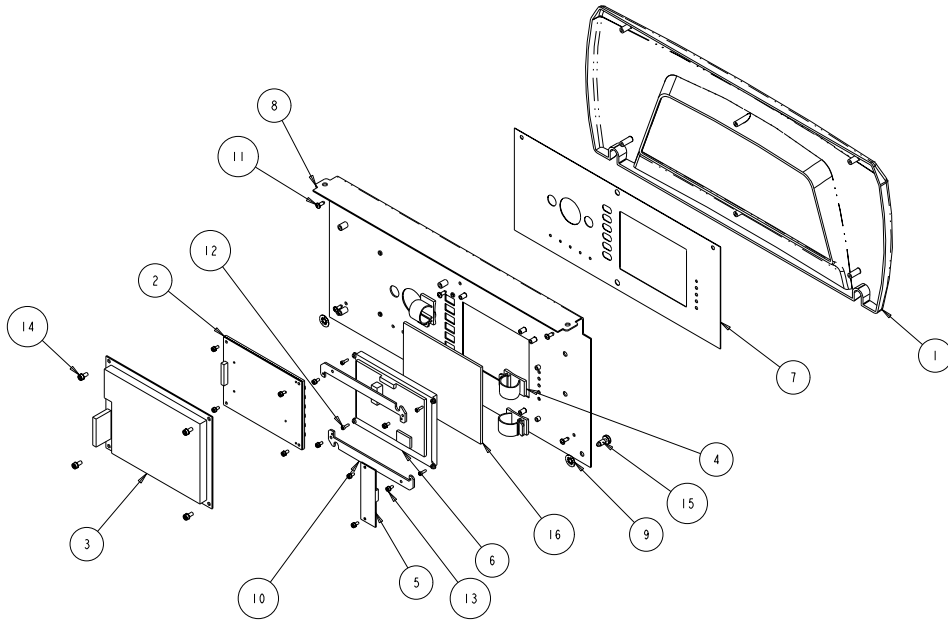
DBA006



SCALE 0.630



SECTION A-A



REV.	DESCRIPTION	DATE	ENG	ECO #	APPR
1	PRELIMINARY	20APR04	KDB		
4	ADD LCD, KEYPAD ASSY, REMOVE DBA012.ASM	16JUL04	LR		
5	CHANGED LCD, ADDED DB141, ADDED DISPLAY FROM LCD	21JULY21	MAS		
6	ADDED ANTENNA AND CLIP HOLES	05AUG04	SH		
7	HARDWARE FIXES:;(2X) M3.5 X 6 NOW M3 X 6	06OCT04	LR		
8	ADD ITEM 14, CHANGED ITEM 12 QTY. FROM 1 TO 2	26OCT04	DF		
9	REMOVED ANTENNA AND HOLD DOWN CLIPS	27APR05	DF		

ITEM NO.	QTY.	FILENAME	PART NO.	REV	DESCRIPTION
16	1	DB400	80530076	-	WINDOW, LCD APERTURE, DL2
15	2	SCREW_230_611LG_CAPTIVE	90712007	.	SCREW,CAPTIVE PHIL .23 OD X .611 LG CR
14	4	SCREW4AC08BZ	91000408	.	SCREW, M4 SOCKET 08 BZ SEMS
13	10	SCREW3AC06BZ	91000306	.	SCREW, M3 SOCKET CAP 06 BZ SEMS
12	4	SCREW2-5AC08SS	91102508	.	SCREW, M2.5 SOCKET 8 SS
11	6	SCREW6-19PPB0380BZ	90709117	.	SCREW, 6-19 PHIL PAN PLASTITE 3/8 BZ
10	2	DB141	99260462	-	RETAINER,LCD DISPLAY DL2
9	2	RETAINER_CAPTIVE_SS	90701362	.	RETAINER,CAPTIVE,SS,MED
8	1	DB109	80071855	-	PANEL, FRONT DL2
7	1	DB450	99310415	-	LABEL, FRONT PANEL, DL2
6	1	DB436	90306073	-	DISPLAY, LCD, 5.6" TFT, DL2
5	1	DB436-01	90306073	-	DISPLAY, LCD, 5.6" TFT--SWITCH BRD
4	3	CLIP_75_PUSH_ON_NY	90701358	.	CLIP, WIRE .75 DIA, PUSH MOUNT
3	1	DB425	80010186	-	BOARD, DL2V4 LOGIC BOX ASSY
2	1	DB401	80010190	-	BOARD, ASSY KEYPAD, DL2
1	1	DB200	99350079	-	BEZEL, TOP BOX, DL2

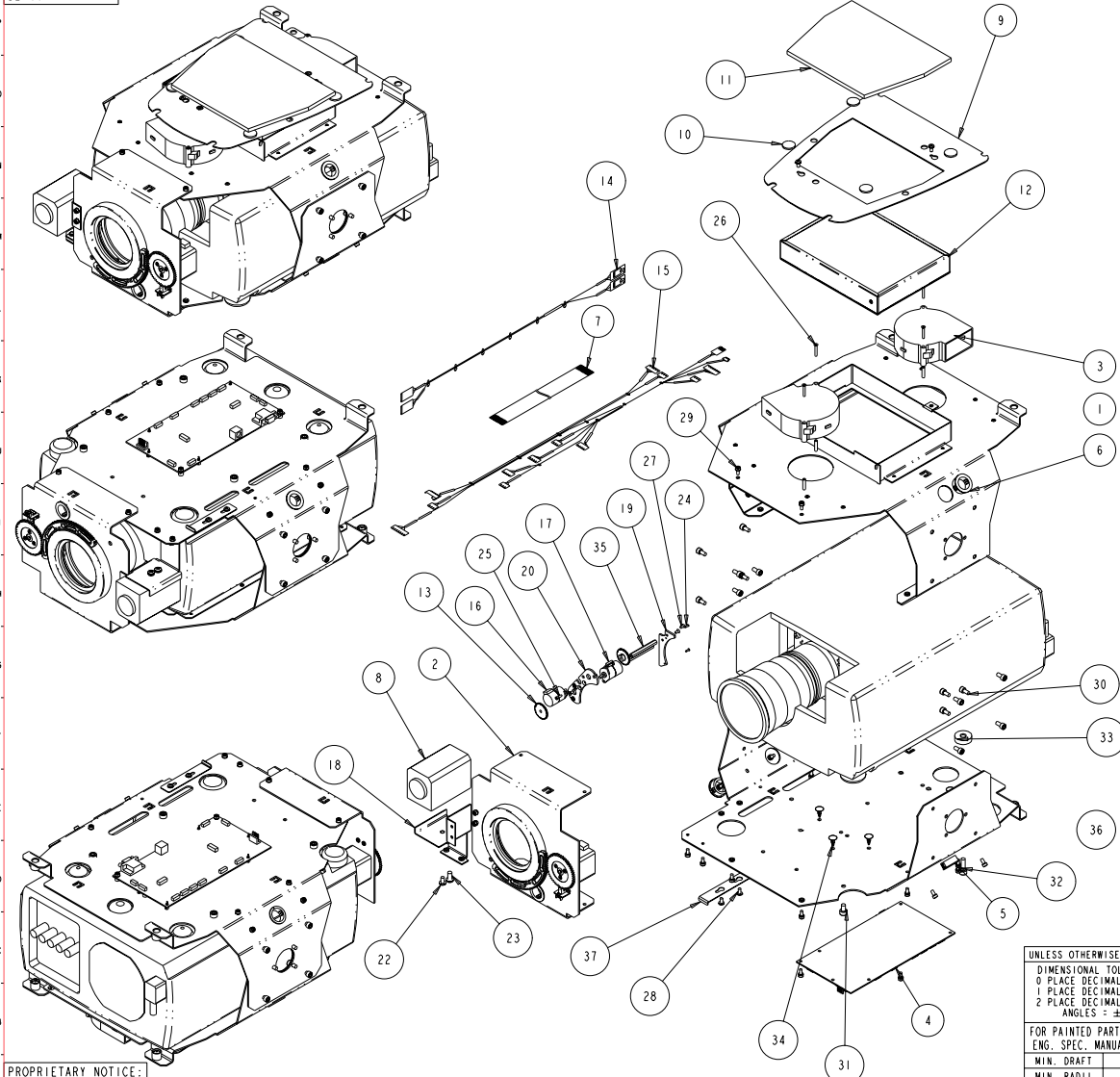
ITEM NO. QTY. FILENAME PART NO. REV DESCRIPTION

BILL OF MATERIALS

UNLESS OTHERWISE SPECIFIED:	RELEASE DATE:	CE:	 2105 GRACY FARMS LANE AUSTIN, TEXAS 78758 (512) 836-2242 FAX (512) 832-4128 ***** http://www.highend.com	
DIMENSIONAL TOLERANCES:	ENG:	OA:		
0 PLACE DECIMAL = ±0.38	ME:			
1 PLACE DECIMAL = ±0.25	MEG:	DRW: K. BICKERS		
2 PLACE DECIMALS = ±0.13				
ANGLES = ±0.5°				
FOR PAINTED PARTS REFER TO ENG. SPEC. MANUAL WI-0592	DESCRIPTION:	PANEL ASSY, COMPLETE, CONTROL, DL2		
MIN. DRAFT	MATERIAL:	CHARTED		
MIN. RADII	FINISH:	NA		
FLATNESS	INTERPRET DIMENSIONS PER	ASME Y14.5M-1994	PART NO.	DRAWING NO.
THICKNESS	THIRD ANGLE PROJECTION	SI METRIC A1	INTERNAL	DBA006
VOLUME	DIMENSIONS ARE IN MILLIMETERS	DO NOT SCALE	SCALE: 0.350	SHEET: 1 OF 1

PROPRIETARY NOTICE:  
 THIS DOCUMENT CONTAINS CONFIDENTIAL AND PROPRIETARY INFORMATION OF HIGH END SYSTEMS INC., (ALSO DBA LIGHTWAVE RESEARCH) AND IS GIVEN TO THE RECEIVER IN CONFIDENCE. THE RECEIVER ACCEPTS AND AGREES THAT, EXCEPT AS AUTHORIZED BY HIGH END SYSTEMS, THE RECEIVER WILL NOT PERMIT THE USE OF THE DOCUMENT OR ANY COPY THEREOF OR THE INFORMATION THEREIN, WILL NOT COPY OR PERMIT COPYING THE DOCUMENT OR THE INFORMATION THEREIN, AND WILL UPON COMPLETION OF THE NEED TO RETAIN THE DOCUMENT, OR UPON DEMAND, RETURN THE DOCUMENT WITHOUT RETAINING ANY OF THE INFORMATION CONTAINED THEREIN IN ANY FORM WHATSOEVER.

DBA004



REV.	DESCRIPTION	DATE	ENG	ECO #	APPR
4	INCORPORATE NEW AIR PLENUM/LOWER SUPRT DESIGN	06OCT04	LR		

ITEM NO.	QTY.	FILENAME	PART NO.	REV	DESCRIPTION
37	1	CAT129	99260438	-	TOOL, FILTER REMOVAL, DLI
36	1	DB155	99260469	A	SUPPORT, PROJECTOR LOWER TRAY DL
35	2	STANDOFF6MHX51	90702250	-	STANDOFF, 6MM HEX 3MM THR X SIMM L
34	4	SUPPORT_CRLCBSRE_4_01	90702207	-	STANDOFF, PCB NYLON .250
33	1	CAT336	99190088	-	SPACER, PROJECTOR MOUNT, DLI
32	1	SCREWM6AC20SS	91100620	-	SCREW, M6 SOCKET 20 SS
31	3	SCREWM6AC10SS	91100610	-	SCREW, M6 SOCKET 10 SS W/PATCH
30	14	SCREWM5AC10SSP	91100510	-	SCREW, M5 SOCKET 10 SS, W/PATCH
29	18	SCREWM4AC08BZ	91000408	-	SCREW, M4 SOCKET 08 BZ SEMS
28	4	SCREWM4PP08SBZ	91020408	-	SCREW, M4 PHIL PAN 08 SEMS BZ
27	4	SCREWM3AF06BZ	91040306	-	SCREW, M3 SOCKET CSNK FLAT 06 BZ NYTEMP
26	4	SCREWM3AF20SZP	91540320	-	SCREW, M3 CSNK FLAT 20 SZ W/PATCH
25	4	SCREWM2-5AC08SS	91102508	-	SCREW, M2.5 SOCKET 8 SS
24	2	SCREWM2AF06BZ	91040206	-	SCREW, M2 SOCKET CSNK FLAT 06 BZ NYTEMP
23	1	SCREW250-20PPW500SS	90709195	-	SCREW, 1/4-20 PHIL PAN 1/2, SS W/SEMS
22	1	SCREW10-32PPW380SS	90709196	-	SCREW, 10-32 PHIL PAN, 3/8, SS W/SEMS
21	1	DB516	90900002	-	PROJECTOR, 5000 LUMEN, 1200:1 CR
20	1	DB191	99080259	A	PLATE, MOTOR, ZOOM BRACKET DL2
19	1	DB190	99080258	A	PLATE, BASE, ZOOM BRACKET DL2
18	1	CAT161	99260421	C	MOUNT, CAMERA SUPPORT, DLI
17	1	CAT718_02	80140035	-	MOTOR, ASSY ZOOM CONTROL, DLI
16	1	CAT718_01	80140034	-	MOTOR, ASSY FOCUS CONTROL, DLI
15	1	DB702	90409187	-	HARNES, HEAD DL2
14	1	CAT711	90409160	-	HARNES, FAN, DL1
13	2	CAT261	99430108	C	GEAR, SPUR, MODULE 0.5 50T, 4 IMM
12	1	CAT503	80260014	-	FILTER, ASSY, HEPA, 14 PLEATS, DLI
11	1	CAT502	99170009	A	FILTER, AIR, FOAM 8.5 X 6.25 X .25
10	4	VELCRO-COIN750HOOK	90722019	-	FASTENER, VELCRO, VELCROIN 3/4" HOOK 88
9	1	CAT113	80071796	D	COVER, LOWER HEAD, PROJECTOR, BLK, DLI
8	1	CAT511	60040002	-	CAMERA, BLOCK, EX480B, SONY
7	1	CAT714	90409177	-	CABLE, FCC CAMERA, DLI
6	2	BUSHING-HEYCO-2140	90410030	-	BUSHING, SNAP 1" F100
5	1	BUSHING_1-00_SPLIT	90719058	-	BUSHING, OPEN/CLOSE 1.0 OD .812 ID
4	1	DB437	80010174	-	BOARD, DL2/4 HEAD CONTROL
3	2	CAT721	80270027	-	BLOWER, ASSY 28.6 CFM, W/TACH DLI
2	1	CATA021	INTERNAL	NA	ASSY, HEAD, IRIS ASSY, DLI
1	1	DBA017	80260016	-	ASSY, HEAD, AIR PLENUM DL

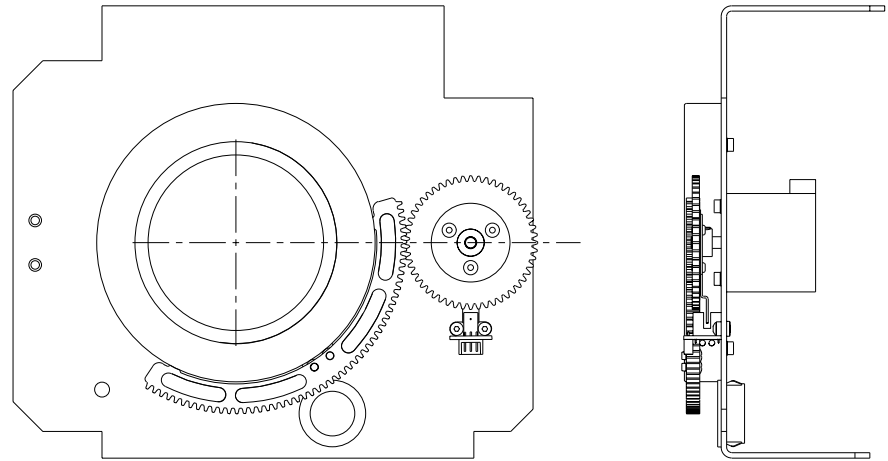
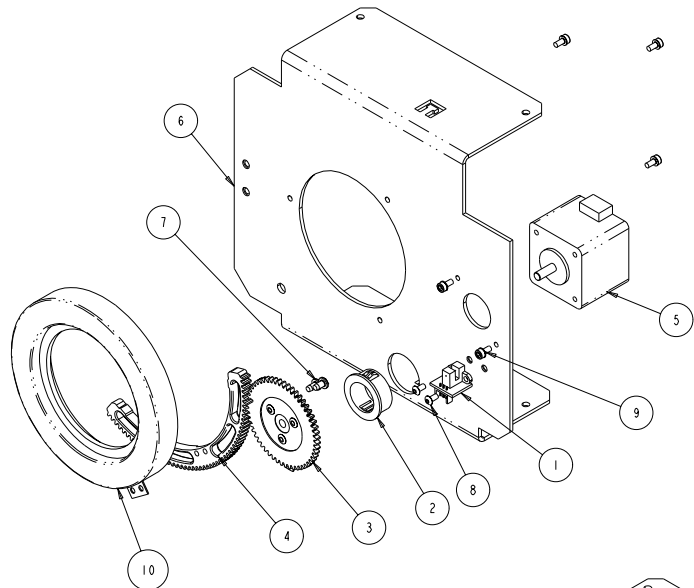
BILL OF MATERIALS

UNLESS OTHERWISE SPECIFIED:	RELEASE DATE:	CE:	 2209 WEST BRAKER LANE AUSTIN, TEXAS 78758 (512) 832-0363 FAX (512) 832-9542 ***** http://www.highend.com	
DIMENSIONAL TOLERANCES:	ENG:	OA:		
0 PLACE DECIMAL = ±0.38	ME:			
1 PLACE DECIMAL = ±0.25	MEG:	DRW: LARRY R		
2 PLACE DECIMALS = ±0.13				
ANGLES = ±0.5°	DESCRIPTION:			
FOR PAINTED PARTS REFER TO	HEAD, SUB-ASSY, TOP LEVEL DL2			
ENG. SPEC. MANUAL WI-0592	MATERIAL:			
MIN. DRAFT	CHARTED			
MIN. RADII				
FLATNESS	INTERPRET DIMENSIONS PER	SI	PART NO.	DRAWING NO.
THICKNESS	ASME Y14.5M-1994	METRIC	INTERNAL	DBA004
VOLUME	THIRD ANGLE PROJECTION	A1		
	DIMENSIONS ARE IN MILLIMETERS		DO NOT SCALE	SCALE: 0.300
				SHEET: 1 OF 1

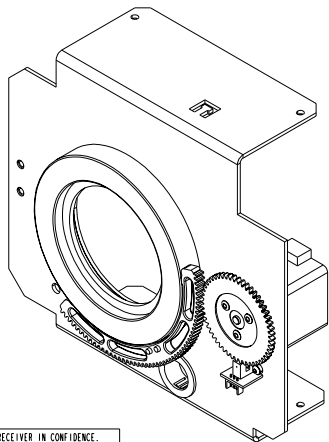
PROPRIETARY NOTICE: THIS DOCUMENT CONTAINS CONFIDENTIAL AND PROPRIETARY INFORMATION OF HIGH END SYSTEMS INC., (ALSO DBA LIGHTWAVE RESEARCH) AND IS GIVEN TO THE RECEIVER IN CONFIDENCE. THE RECEIVER ACCEPTS AND AGREES THAT, EXCEPT AS AUTHORIZED BY HIGH END SYSTEMS, THE RECEIVER WILL NOT PERMIT THE USE OF THE DOCUMENT OR ANY COPY THEREOF OR THE INFORMATION THEREIN, WILL NOT COPY OR PERMIT COPYING THE DOCUMENT WILL NOT DISCLOSE TO OTHERS EITHER THE DOCUMENT OR THE INFORMATION THEREIN, AND WILL UPON COMPLETION OF THE NEED TO RETAIN THE DOCUMENT, OR UPON DEMAND, RETURN THE DOCUMENT WITHOUT RETAINING ANY OF THE INFORMATION CONTAINED THEREIN IN ANY FORM WHATSOEVER.

CATA021

REV.	DESCRIPTION	DATE	ENG	ECO #	APPR
4	5X DELETE BUTTON HEAD SCREWS;; IRIS WAS CHARTED	04OCT04	LR		



SCALE 1.000



ITEM NO.	QTY.	FILENAME	PART NO.	REV	DESCRIPTION
10	1	CAT452	80290010	B	IRIS, 75MM, FULLY CLSNG SNGL PLANE, COATED LEAF
9	5	SCREWM3AC06BZ	91000306	-	SCREW, M3 SOCKET CAP 06 BZ SEMS
8	2	SCREWM3AB06BZ	91010306	-	SCREW, M3 BUTTON 06 BZ NYTEMP
7	2	SCREW6-32PPB250SS	90709027	-	SCREW, #6 PHIL PAN 1/4 B TYPE SS
6	1	CAT172	80071804	B	MOUNT, IRIS SUPPORT, HEAD, BLK DLI
5	1	MR108_02	99270076	-	MOTOR, STEP 2PH MET S17 15.1mm ALNICO NMB
4	1	WP266	99290017	-	IRIS DRIVE GEAR
3	1	CATA025	99430110	-	GEAR, ASSY IRIS SENSOR DLI
2	1	BUSHING-HEYCO-2140	90410030	-	BUSHING, SNAP 1" F100
1	1	FS709	80040022	-	BOARD, ASSY ME46 FLAG HOMING SENSOR

UNLESS OTHERWISE SPECIFIED	RELEASE DATE:	CE:	High End	2209 WEST BRAKER LANE	
DIMENSIONAL TOLERANCES:	ENG:	QA:		AUSTIN, TEXAS 78758	
0 PLACE DECIMAL = ±0.38	ME:			(512) 832-0363	
1 PLACE DECIMAL = ±0.25	MEG:	DRW: J MADDOX		FAK (512) 832-8542	
2 PLACE DECIMALS = ±0.13	ANGLES = ±0.5°			http://www.highend.com	

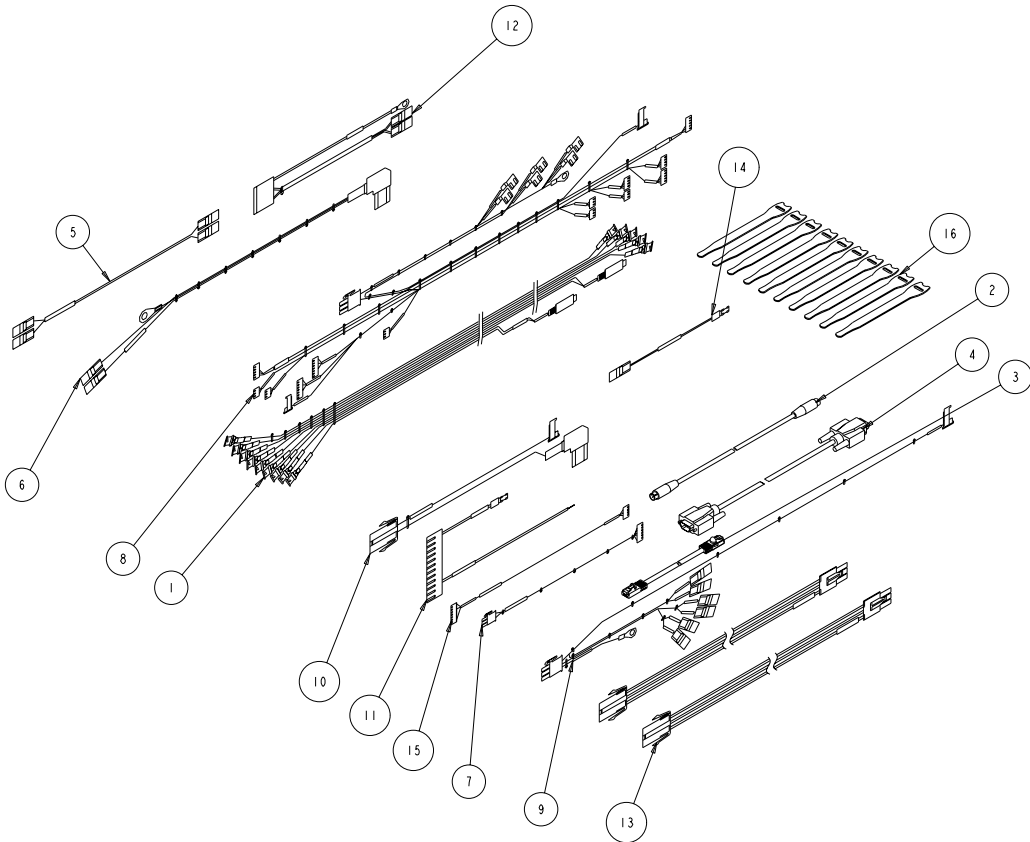
FOR PAINTED PARTS REFER TO ENG. SPEC. MANUAL WI-0592	MATERIAL: CHARTED	FINISH: NA
MIN. DRAFT	INTERPRET DIMENSIONS PER ASME Y14.5M-1994	THIRD ANGLE PROJECTION
MIN. RADII	SI METRIC A1	PART NO. INTERNAL CATA021
THICKNESS	DIMENSIONS ARE IN MILLIMETERS	DRAWING NO. CATA021
VOLUME	DO NOT SCALE	SCALE: 0.750
		SHEET: 1 OF 1

**PROPRIETARY NOTICE:**  
 THIS DOCUMENT CONTAINS CONFIDENTIAL AND PROPRIETARY INFORMATION OF HIGH END SYSTEMS INC., (ALSO DBA LIGHTWAVE RESEARCH) AND IS GIVEN TO THE RECEIVER IN CONFIDENCE. THE RECEIVER ACCEPTS AND AGREES THAT, EXCEPT AS AUTHORIZED BY HIGH END SYSTEMS, THE RECEIVER WILL NOT PERMIT THE USE OF THE DOCUMENT OR ANY COPY THEREOF ON THE INFORMATION THEREIN. WILL NOT COPY OR PERMIT COPYING THE DOCUMENT WILL NOT DISCLOSE TO OTHERS EITHER THE DOCUMENT OR THE INFORMATION THEREIN, AND WILL UPON COMPLETION OF THE NEED TO RETAIN THE DOCUMENT, OR UPON DEMAND, RETURN THE DOCUMENT WITHOUT RETAINING ANY OF THE INFORMATION CONTAINED THEREIN IN ANY FORM WHATSOEVER.



DBA008

REV.	DESCRIPTION	DATE	ENG	ECO #	APPR



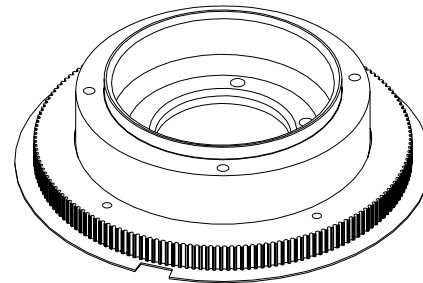
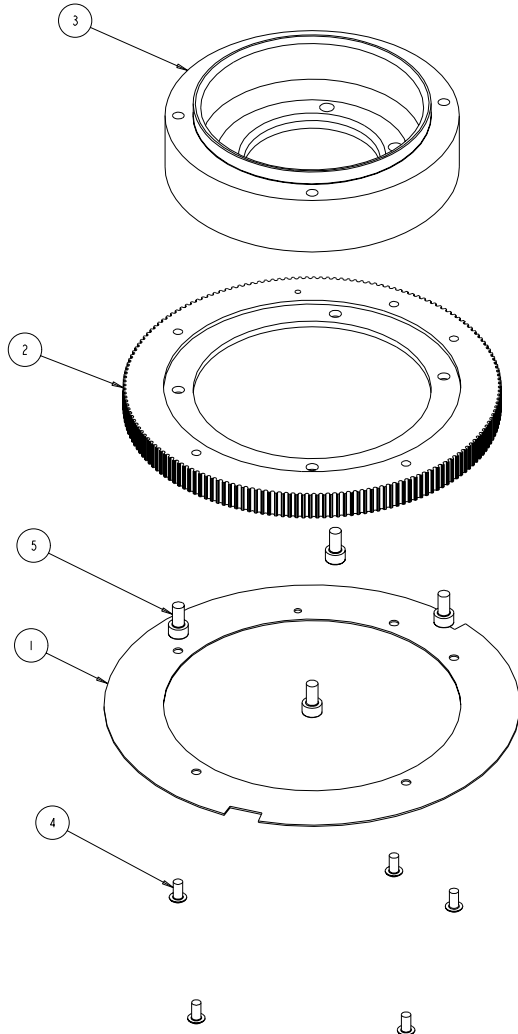
ITEM NO.	QTY.	FILENAME	PART NO.	REV	DESCRIPTION
16	10	TIE-WRAP_6_VELCRO	99330160	.	TIE WRAP, 6" VELCRO
15	1	DB704	90409189	.	HARNESS, TILT DL2
14	1	DB712	90409195	.	HARNESS, POWER JUMPER, DL2
13	2	CAT709	90409154	.	HARNESS, PAN/TILT TUBE, DL1
12	1	DB714	90409203	.	HARNESS, MPS INPUT DL2
11	1	DB708	90409191	.	HARNESS, MOTOR SUPPLY OUTPUT DL2
10	1	DB707	90409190	.	HARNESS, MODULE LINK, HEAD DL2
9	1	DB706	90409201	.	HARNESS, MOD LINK POWER, DL2
8	1	DB701	90409186	.	HARNESS, MAIN TOP BOX DL2
7	1	DB710	90409193	.	HARNESS, LED INDICATOR, DL2
6	1	DB711	90409194	.	HARNESS, COMPUTER POWER, DL2
5	1	CAT701	90409150	.	HARNESS, AC INPUT DL1
4	1	CABLE_6FT-MALE2MALE	90409198	.	CABLE, VGA MALE TO MALE 6' DL2
3	1	CABLE_5FT_RJ45	56070005	.	CABLE, USB 3' USB/USBB, CATALYST
2	1	CABLE_6FT_SVID	90409197	.	CABLE, S-VIDEO 6' DL2
1	1	DB703	90409188	.	CABLE, ASSY, VIDEO DL2

UNLESS OTHERWISE SPECIFIED		RELEASE DATE:	CE:	2105 GRACY FARMS LANE AUSTIN, TEXAS 78758 (512) 836-2242 FAX (512) 832-4128 ***** http://www.highend.com	
DIMENSIONAL TOLERANCES:		ENG:	OA:		
0 PLACE DECIMAL = ±0.38		ME:			
1 PLACE DECIMAL = ±0.25		MEG:	DRW: LARRY R		
2 PLACE DECIMALS = ±0.13		ANGLES = ±0.5°	DESCRIPTION:	FINISH:	
FOR PAINTED PARTS REFER TO		ASSY, MISC COMPONENTS, DL2			
ENG. SPEC. MANUAL WI-0592		MATERIAL:			
MIN. DRAFT		CHARTED			
MIN. RADII		INTERPRET DIMENSIONS PER		PART NO.	
FLATNESS		ASME Y14.5M-1994		DRAWING NO.	
THICKNESS		THIRD ANGLE PROJECTION		DBA008	
VOLUME		DIMENSIONS ARE IN MILLIMETERS		REV.	
				NA	
		DO NOT SCALE		SCALE: 0.350	
				SHEET: 1 OF 1	

**PROPRIETARY NOTICE:**  
 THIS DOCUMENT CONTAINS CONFIDENTIAL AND PROPRIETARY INFORMATION OF HIGH END SYSTEMS INC., (ALSO DBA LIGHTWAVE RESEARCH) AND IS GIVEN TO THE RECEIVER IN CONFIDENCE. THE RECEIVER ACCEPTS AND AGREES THAT, EXCEPT AS AUTHORIZED BY HIGH END SYSTEMS, THE RECEIVER WILL NOT PERMIT THE USE OF THE DOCUMENT OR ANY COPY THEREOF ON THE INFORMATION THEREIN. WILL NOT COPY OR PERMIT COPYING THE DOCUMENT WILL NOT DISCLOSE TO OTHERS EITHER THE DOCUMENT OR THE INFORMATION THEREIN, AND WILL UPON COMPLETION OF THE NEED TO RETAIN THE DOCUMENT, OR UPON DEMAND, RETURN THE DOCUMENT WITHOUT RETAINING ANY OF THE INFORMATION CONTAINED THEREIN IN ANY FORM WHATSOEVER.

DBA015

REV.	DESCRIPTION	DATE	ENG	ECO #	APPR
2	REMOVE PAN TUBE	20JUL04	LR		
3	CHANGED PARTS FOR LARGER PAN TUBE DESIGN	28APR05	DF		



NOTES:  
1. PARTS TO BE FREE OF BURRS AND/OR SHARP EDGES

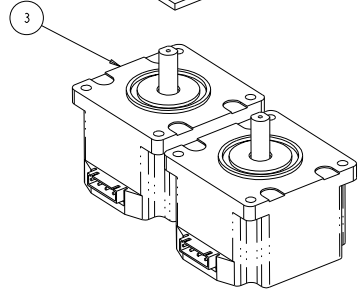
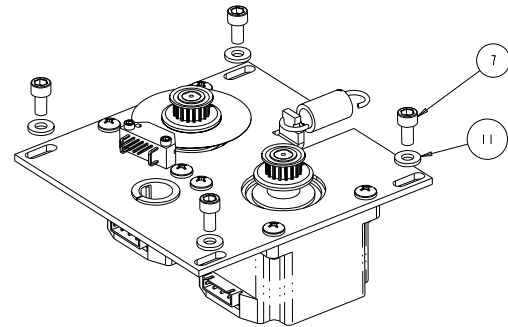
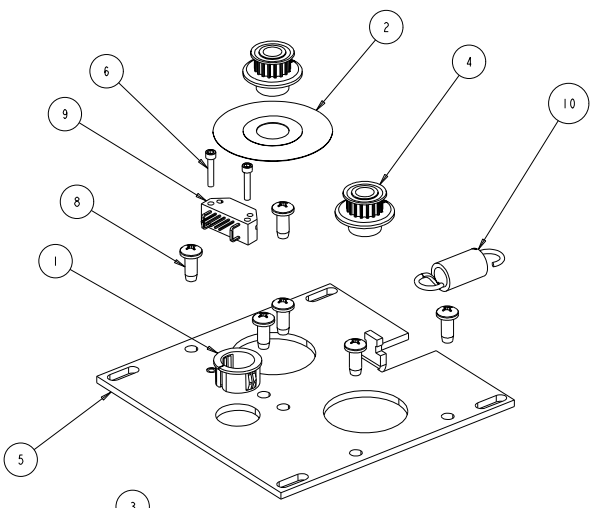
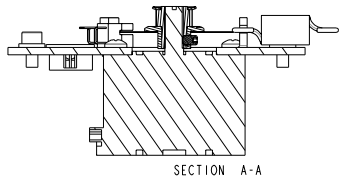
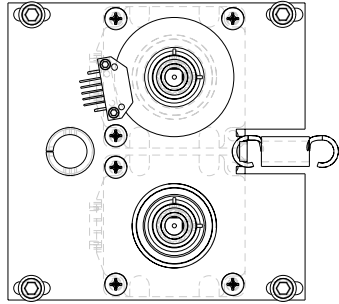
ITEM NO.	QTY.	FILENAME	PART NO.	REV	DESCRIPTION
5	4	SCREWM5AC10SSP	91100510	.	SCREW, M5 SOCKET 10 SS, W/PATCH
4	5	SCREWM4AB08BZP	91010408	.	SCREW, M4 BUTTON 08 BZ W/PATCH
3	1	DB311	99400092	A	HUB, YOKE ADAPTER, DL2
2	1	DB301	99430111	A	GEAR, PULLEY, 170T PAN DRIVE, DL2
1	1	DB185	99360045	A	FLANGE, PAN SENSOR, DL2

BILL OF MATERIALS

UNLESS OTHERWISE SPECIFIED	RELEASE DATE:	CE:	2105 GRACY FARMS LANE AUSTIN, TEXAS 78758 (512) 836-2242 FAX (512) 832-4128 ***** http://www.highend.com	
DIMENSIONAL TOLERANCES:	ENG:	QA:		
0 PLACE DECIMAL = ±0.38	ME:			
1 PLACE DECIMAL = ±0.25	MEG:	DRW: K. BICKERS		
2 PLACE DECIMALS = ±0.13				
ANGLES = ±0.5°				
FOR PAINTED PARTS REFER TO ENG. SPEC. MANUAL WI-0592	MATERIAL:	FINISH:		
	CHARTED	NONE		
MIN. DRAFT				
MIN. RADI				
FLATNESS	INTERPRET DIMENSIONS PER ASME Y14.5M-1994			
THICKNESS	THIRD ANGLE PROJECTION			
VOLUME	DIMENSIONS ARE IN MILLIMETERS			
	SI METRIC A1		PART NO. INTERNAL DBA015	REV. NA
	DO NOT SCALE	SCALE: 1:000	SHEET: 1 OF 1	

**PROPRIETARY NOTICE:**  
THIS DOCUMENT CONTAINS CONFIDENTIAL AND PROPRIETARY INFORMATION OF HIGH END SYSTEMS INC., (ALSO DBA LIGHTWAVE RESEARCH) AND IS GIVEN TO THE RECEIVER IN CONFIDENCE. THE RECEIVER ACCEPTS AND AGREES THAT, EXCEPT AS AUTHORIZED BY HIGH END SYSTEMS, THE RECEIVER WILL NOT PERMIT THE USE OF THE DOCUMENT OR ANY COPY THEREOF ON THE INFORMATION THEREIN. WILL NOT COPY OR PERMIT COPYING THE DOCUMENT WILL NOT DISCLOSE TO OTHERS EITHER THE DOCUMENT OR THE INFORMATION THEREIN, AND WILL UPON COMPLETION OF THE NEED TO RETAIN THE DOCUMENT, OR UPON DEMAND, RETURN THE DOCUMENT WITHOUT RETAINING ANY OF THE INFORMATION CONTAINED THEREIN IN ANY FORM WHATSOEVER.

REV.	DESCRIPTION	DATE	ENG	ECO #	APPR
1	DRAWING CREATED	27JUL04	LR		
2	CORRECT LGT OF SCREWS::ADD(4X) MNTNG SCREWS	10OCT04	LR		
3	REDESIGN WITH REMOVAL OF BRG HSNG & SUBPLATE	20OCT04	LR		
4	REVERT BACK TO PREVIOUS DESIGN	22NOV04	DF		
5	CHANGED PINION TO 99430118	28JUN05	DF		



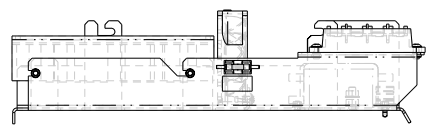
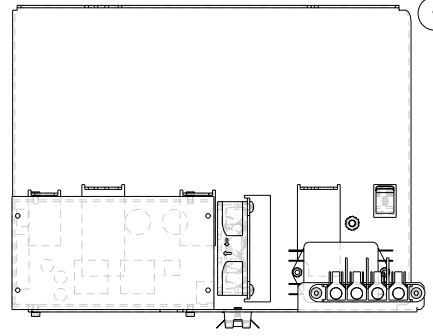
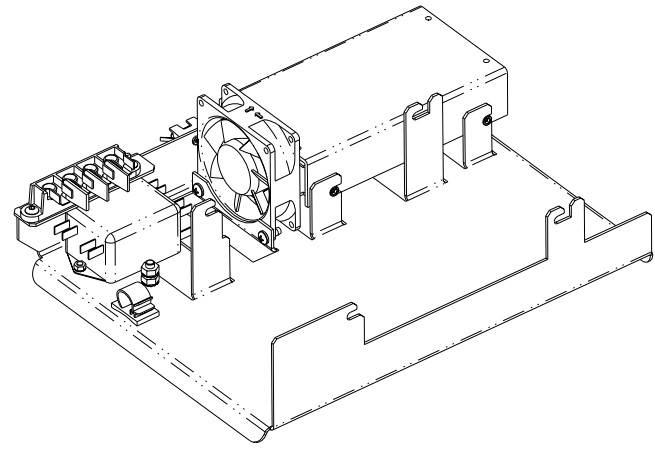
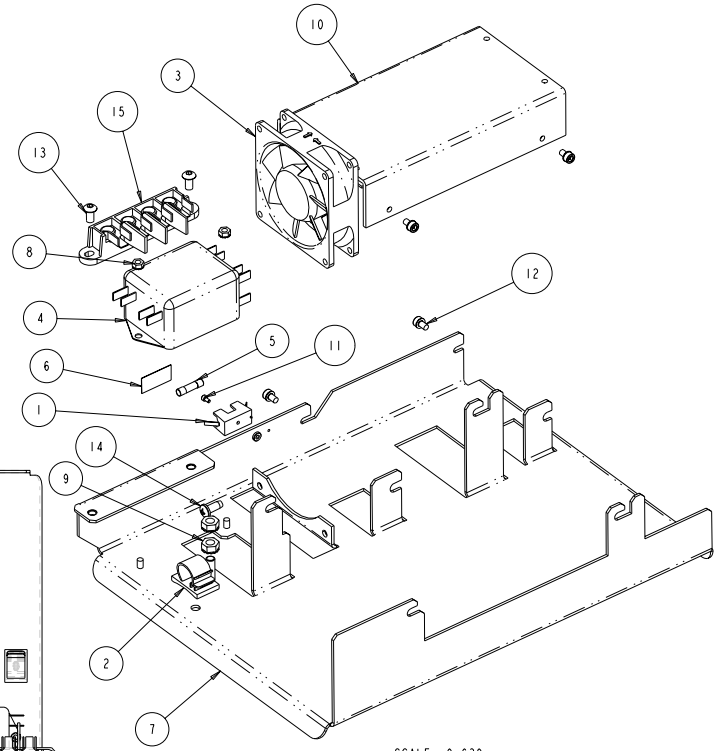
ITEM NO.	QTY.	FILENAME	PART NO.	REV	DESCRIPTION
11	4	WASHER10-204X440SS	90706012		WASHER, FLAT #10 SS
10	1	SPRINGS00_1250_LG	90701354		SPRING, EXTENSION, .500 X 1.25 LG
9	1	SENSOR_ENCODER	90306075		SENSOR, ENCODER, HEDS-9000U00
8	6	SCREW10-14PPF500	90709062		SCREW, PHIL PAN #10 X 1/2 PLASTITE SZ
7	4	SCREWM5AC10SSP	91100510		SCREW, M5 SOCKET 10 SS, W/PATCH
6	2	SCREWM2-5AC14SS	91102514		SCREW, M2.5 SOCKET 14 SS
5	1	DB154	99080251	B	PLATE, MOTOR ADJUST, PAN DL2
4	2	DB335	99430118		PINION, ASSY 17T 3MM HTD
3	2	MR060	99270035		MOTOR, STEP 3PH S60 22.5MM SHAFT JS
2	1	ENCODER_DISK	99180070		ENCODER, WHEEL 23.36 RADIUS, 2048 CPR
1	1	BUSHING_562_SPLIT	90719032		BUSHING, .56 OPEN/CLOSED NYLON BLACK

BILL OF MATERIALS

UNLESS OTHERWISE SPECIFIED	RELEASE DATE:	CE:	High End	2105 GRACY FARMS LANE							
DIMENSIONAL TOLERANCES:	ENG:	OA:		AUSTIN, TEXAS 78758							
0 PLACE DECIMAL = ±0.38	ME:			(512) 836-2242							
1 PLACE DECIMAL = ±0.25	MEG:	DRW: LARRY R		FAK (512) 832-4128							
2 PLACE DECIMALS = ±0.13	ANGLES = ±0.5°			***** http://www.highend.com							
FOR PAINTED PARTS REFER TO ENG. SPEC. MANUAL WI-0592	MATERIAL: CHARTED	FINISH:	DESCRIPTION: ASSY, MOTOR W/SENSOR, TOP BOX DL2								
MIN. DRAFT	MIN. RADII	MIN. FLATNESS	MIN. THICKNESS	MIN. VOLUME	<table border="1"> <tr> <td>INTERPRET DIMENSIONS PER ASME Y14.5M-1994</td> <td>THIRD ANGLE PROJECTION</td> <td>SI METRIC A1</td> <td>PART NO. INTERNAL</td> <td>DRAWING NO. DBA028</td> <td>REV. NA</td> </tr> </table>	INTERPRET DIMENSIONS PER ASME Y14.5M-1994	THIRD ANGLE PROJECTION	SI METRIC A1	PART NO. INTERNAL	DRAWING NO. DBA028	REV. NA
INTERPRET DIMENSIONS PER ASME Y14.5M-1994	THIRD ANGLE PROJECTION	SI METRIC A1	PART NO. INTERNAL	DRAWING NO. DBA028	REV. NA						
DIMENSIONS ARE IN MILLIMETERS			DO NOT SCALE	SCALE: 1:1000	SHEET: 1 OF 1						

**PROPRIETARY NOTICE:**  
 THIS DOCUMENT CONTAINS CONFIDENTIAL AND PROPRIETARY INFORMATION OF HIGH END SYSTEMS INC., (ALSO DBA LIGHTWAVE RESEARCH) AND IS GIVEN TO THE RECEIVER IN CONFIDENCE. THE RECEIVER ACCEPTS AND AGREES THAT, EXCEPT AS AUTHORIZED BY HIGH END SYSTEMS, THE RECEIVER WILL NOT PERMIT THE USE OF THE DOCUMENT OR ANY COPY THEREOF OR THE INFORMATION THEREIN, WILL NOT COPY OR PERMIT COPYING THE DOCUMENT WILL NOT DISCLOSE TO OTHERS EITHER THE DOCUMENT OR THE INFORMATION THEREIN, AND WILL UPON COMPLETION OF THE NEED TO RETAIN THE DOCUMENT, OR UPON DEMAND, RETURN THE DOCUMENT WITHOUT RETAINING ANY OF THE INFORMATION CONTAINED THEREIN IN ANY FORM WHATSOEVER.

REV.	DESCRIPTION	DATE	ENG	ECO #	APPR
1	RELEASE FOR PROTOTYPE	03MAY04	KDB		
2	REDESIGN PWR SUPPLY MOUNT TO INCLUDE CABLE TRAY	20JUL04	LR		
3	TRAY NOW HAS GRILL; ADD 2 SCREWS	23JUL04	LR		
4	TERM BLOCK WAS 3 POLE, NOW 4 POLE	11AUG04	LR		
5	(2X) REPLACE M4X06 W/M4X04SS;;DELETE 1X CLIP	01OCT04	LR		
6	ADD ANOTHER NUT;;CHG SCREWS	04OCT04	LR		
7	WAS (2X) M4 X 06 SS, NOW: M4 X 05 BZ W/LK WASHER	07OCT04	LR		
8	ADDED ITEM 3 TO ASSEMBLY	11MAR05	SH		



SCALE 0.630

ITEM NO.	QTY.	FILENAME	PART NO.	REV.	DESCRIPTION
15	1	BLOCK_TERM3-TAB_4-POLE	90406151		TERMINAL BLOCK, 4 POS X 3 40 AMP CHAS MNT
14	2	SCREW10-14PPF500	90709062		SCREW, PHIL PAN #10 X 1/2 PLASTITE SZ
13	2	SCREWM5AB10BZP	91010510		SCREW, M5 BUTTON 10 BZ W/PATCH
12	4	SCREWM4AC06BZ	91000406		SCREW, M4 SOCKET 06 BZ SEMS
11	1	SCREWM2AC04BZX	91050204		SCREW, M2 SOCKETCAP 04 BZ
10	1	FS701	99070003		POWER SUPPLY, SWITCHING 40 V MOTOR W/PFC
9	2	NUTM6KEP	91201206		NUT, M6 KEPS
8	2	NUTM4KEP	91201204		NUT, M4 KEPS
7	1	DB108	99260457		MOUNT, POWER SUPPLY, DL2
6	1	LABEL_FUSE_WARNING	99310417		LABEL,FUSE WARNING DL2
5	1	FUSE5X20_5A-SLOW	90403012		FUSE, 5 AMP SLOW
4	1	LINE_FILTER_3AMP	90601055		FILTER, RFI 3A - 2X LOAD 2X LINE
3	1	CAT715	80270025		FAN ASSY, 12 V, 80MM SQ, X 25MM DLI
2	1	CLIP_50.PUSH_ON-NY	90701271		CLIP, WIRE .50 DIA, PUSH MOUNT
1	1	FUSE_HOLDERSX20	90412018		BLOCK, FUSE, SINGLE 5 X 20,

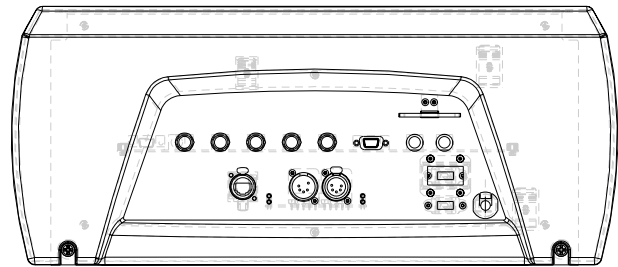
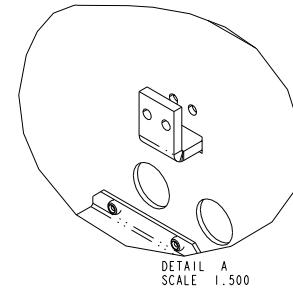
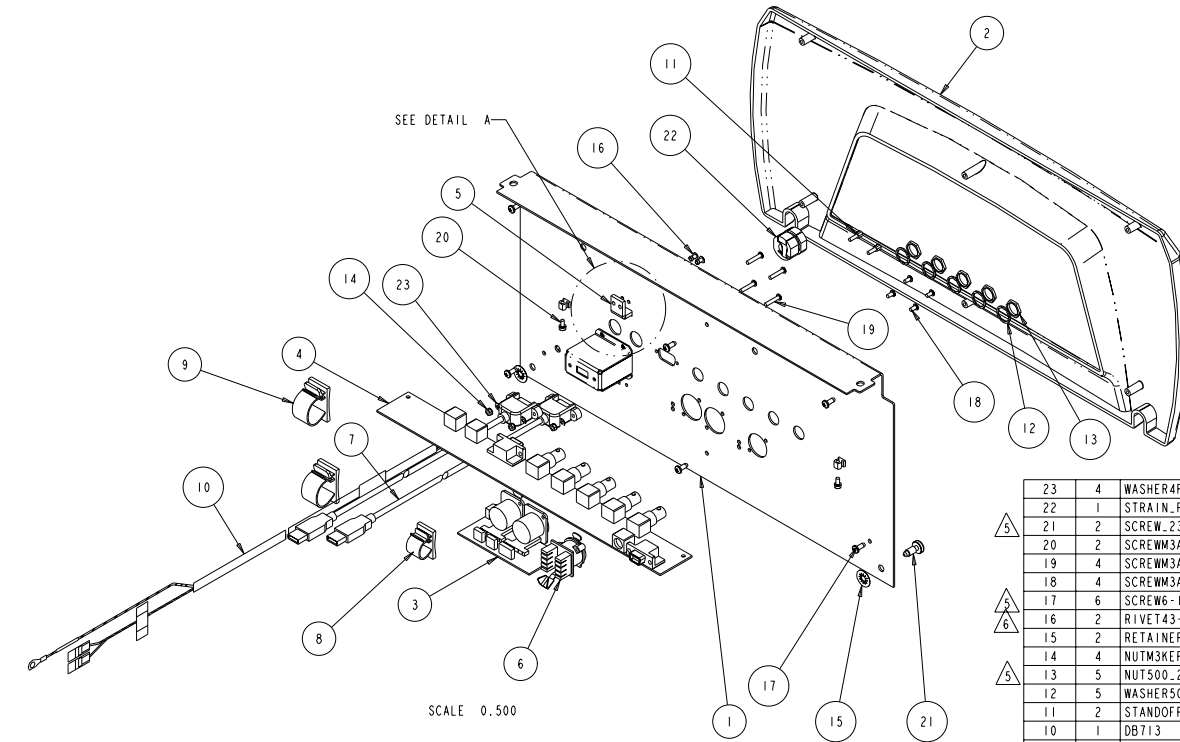
BILL OF MATERIALS

UNLESS OTHERWISE SPECIFIED:	RELEASE DATE:	CE:	2105 GRACY FARMS LANE AUSTIN, TEXAS 78758 (512) 836-2242 FAX (512) 832-4128 http://www.highend.com	LIGHTWAVE RESEARCH
DIMENSIONAL TOLERANCES:	ENG:	OA:		
0 PLACE DECIMAL = ±0.38	ME:	DRW: K. BICKERS		
1 PLACE DECIMAL = ±0.25	MEG:			
2 PLACE DECIMALS = ±0.13	ANGLES = ±0.5°	DESCRIPTION:		
FOR PAINTED PARTS REFER TO ENG. SPEC. MANUAL WI-0592	MATERIAL:	TRAY ASM, POWER SUPPLY, DL2		
MIN. DRAFT	FINISH:			
MIN. RADII	INTERPRET DIMENSIONS PER	ASME Y14.5M-1994	PART NO.	DRAWING NO.
FLATNESS	THIRD ANGLE PROJECTION		INTERNAL	DBA019
THICKNESS	DIMENSIONS ARE IN MILLIMETERS			REV. NA
VOLUME	SI METRIC A1	DO NOT SCALE	SCALE: 0.500	SHEET: 1 OF 1

**PROPRIETARY NOTICE:**  
 THIS DOCUMENT CONTAINS CONFIDENTIAL AND PROPRIETARY INFORMATION OF HIGH END SYSTEMS INC., (ALSO DBA LIGHTWAVE RESEARCH) AND IS GIVEN TO THE RECEIVER IN CONFIDENCE. THE RECEIVER ACCEPTS AND AGREES THAT, EXCEPT AS AUTHORIZED BY HIGH END SYSTEMS, THE RECEIVER WILL NOT PERMIT THE USE OF THE DOCUMENT OR ANY COPY THEREOF OR THE INFORMATION THEREIN, WILL NOT COPY OR PERMIT COPYING THE DOCUMENT WILL NOT DISCLOSE TO OTHERS EITHER THE DOCUMENT OR THE INFORMATION THEREIN, AND WILL UPON COMPLETION OF THE NEED TO RETAIN THE DOCUMENT, OR UPON DEMAND, RETURN THE DOCUMENT WITHOUT RETAINING ANY OF THE INFORMATION CONTAINED THEREIN IN ANY FORM WHATSOEVER.

DBA007

REV.	DESCRIPTION	DATE	ENG	ECO #	APPR
1	EXPLODE VIEW, ADD BOM TABLE	07JUL04	LR		
2	ADD STRAIN RELIEF	03AUG04	LR		
3	ADD FULL TURN SCREWS, POWER CORD, ETHERNET CONN	13SEP04	LR		
4	ADDED CABLE CLAMPS ITEMS #7 & 8	23NOV04	DF		
5	ADDED 2ND USB CABLE AND HARDWARE	16MAY05	DF		
6	ADDED S-VIDEO CABLE RETAINER AND HARDWARE	27MAY05	DF		



23	4	WASHER4FLAT	90706008	WASHER, #4 M/S FLATWASHER S2
22	1	STRAIN_RELIEF_HEYCO1244	90410073	STRAIN RELIEF, HEYCO #1244
21	2	SCREW_230_611LG_CAPTIVE	90712007	SCREW,CAPTIVE PHIL .23 OD X .611 LG CR
20	2	SCREW3AC06BZ	91000306	SCREW, M3 SOCKET CAP 06 BZ SEMS
19	4	SCREW3AB16BZ	91010316	SCREW, M3 BUTTON 06 BZ NYTEMP
18	4	SCREW3AB06BZ	91010306	SCREW, M3 BUTTON 06 BZ NYTEMP
17	6	SCREW6-19PPB0380BZ	90709117	SCREW, 6-19 PHIL PAN PLASTITE 3/8 BZ
16	2	RIVET43-45DMG	90701302	RIVET, 1/8 DOMED, .157-.312
15	2	RETAINER_CAPTIVE_SS	90701362	RETAINER,CAPTIVE,SS,MED
14	4	NUTM3KEP	91201203	NUT, M3 KEPS
13	5	NUT500_28UNEF	90703092	NUT, 1/2-28UNEF-2B BNC
12	5	WASHER500_ID_LOCK_INT	90706192	LOCKWASHER, BNC INTERNAL TOOTH
11	2	STANDOFF440X347HEX_MF	90707122	JACK SCREW 440 X .347
10	1	DB713	90409202	CORD, POWER AC DL2
9	2	CLIP_75_PUSH_ON_NY	90701358	CLIP, WIRE .75 DIA, PUSH MOUNT
8	1	CLIP_50_PUSH_ON_NY	90701271	CLIP, WIRE .50 DIA, PUSH MOUNT
7	2	USB_PLUG	90409200	CABLE, USB A PANEL MOUNT 4.5" DL2
6	1	DB715	90409204	CABLE, ASSY RJ-45, DL2
5	1	DB196	99260476	BRACKET,CABLE RETAINER DL2
4	1	DB430	80030056	BOARD, I/O VIDEO SWITCH ASSY
3	1	DB438	80030066	BOARD, COMMUNICATIONS, DL2 ASSY
2	1	DB200	99350079	BEZEL, TOP BOX, DL2
1	1	DBA033	80071866	ASM, I/O PANEL DL2

ITEM NO. QTY. FILENAME PART NO. REV DESCRIPTION

BILL OF MATERIALS

UNLESS OTHERWISE SPECIFIED: RELEASE DATE: CE: High End 2105 GRACY FARMS LANE AUSTIN, TEXAS 78758 (512) 836-2242 FAX (512) 832-4128 http://www.highend.com

DRW: K. BICKERS

DESCRIPTION: PANEL ASM, COMPLETE, I/O, DL2

FOR PAINTED PARTS REFER TO ENG. SPEC. MANUAL WI-0592 MATERIAL: CHARTED FINISH: N/A

MIN. DRAFT INTERPRET DIMENSIONS PER ASME Y14.5M-1994 THIRD ANGLE PROJECTION DIMENSIONS ARE IN MILLIMETERS

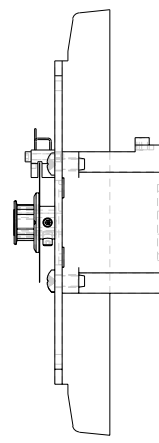
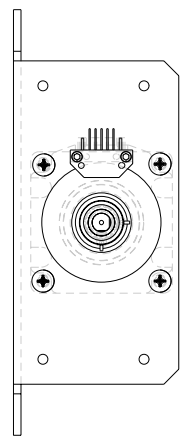
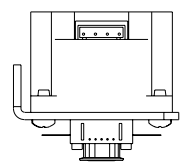
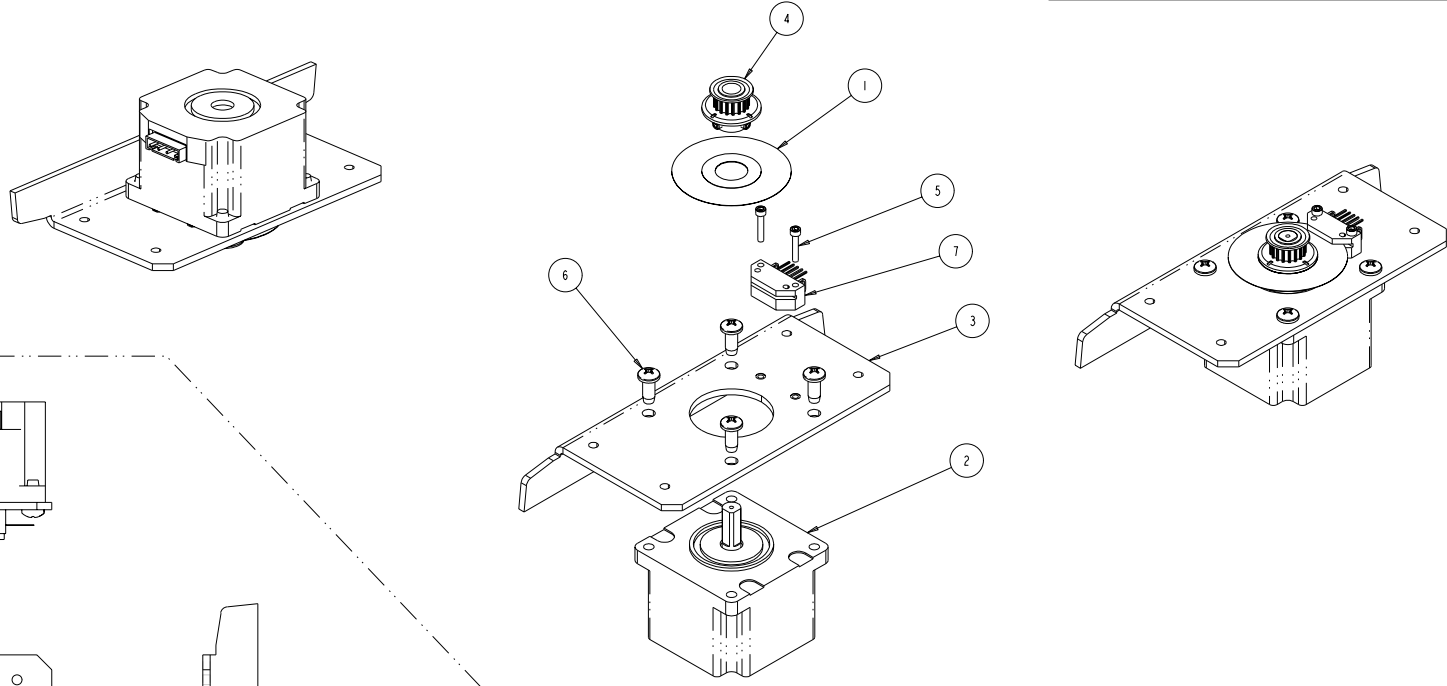
SI METRIC A1 PART NO. INTERNAL DBA007 REV. NA

VOLUME DO NOT SCALE SCALE: 0.500 SHEET: 1 OF 1

**PROPRIETARY NOTICE:**  
THIS DOCUMENT CONTAINS CONFIDENTIAL AND PROPRIETARY INFORMATION OF HIGH END SYSTEMS INC., (ALSO DBA LIGHTWAVE RESEARCH) AND IS GIVEN TO THE RECEIVER IN CONFIDENCE. THE RECEIVER ACCEPTS AND AGREES THAT, EXCEPT AS AUTHORIZED BY HIGH END SYSTEMS, THE RECEIVER WILL NOT PERMIT THE USE OF THE DOCUMENT OR ANY COPY THEREOF OR THE INFORMATION THEREIN, WILL NOT COPY OR PERMIT COPYING THE DOCUMENT WILL NOT DISCLOSE TO OTHERS EITHER THE DOCUMENT OR THE INFORMATION THEREIN, AND WILL UPON COMPLETION OF THE NEED TO RETAIN THE DOCUMENT, OR UPON DEMAND, RETURN THE DOCUMENT WITHOUT RETAINING ANY OF THE INFORMATION CONTAINED THEREIN IN ANY FORM WHATSOEVER.

DBA025

REV.	DESCRIPTION	DATE	ENG	ECO #	APPR



ITEM NO.	QTY.	FILENAME	PART NO.	REV	DESCRIPTION
7	1	SENSOR_ENCODER	90306075	-	SENSOR_ENCODER,HEDS-9000U00
6	4	SCREW10-14PPF500	90709062	-	SCREW, PHIL PAN #10 X 1/2 PLASTITE S2
5	2	SCREWM2-5AC14SS	91102514	-	SCREW, M2.5 SOCKET 14 SS
4	1	DB335	99430118	-	PINION, ASSY 17T 3MM HTD
3	1	DB142	99260463	-	MOUNT, TYPE 23 MOTOR DL-2
2	1	MR060	99270035	-	MOTOR, STEP 3PH S60 22.5MM SHAFT JS
1	1	ENCODER_DISK	99180070	-	ENCODER, WHEEL 23.36 RADIUS, 2048 CPR

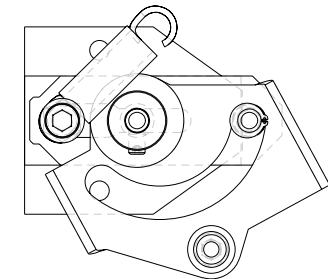
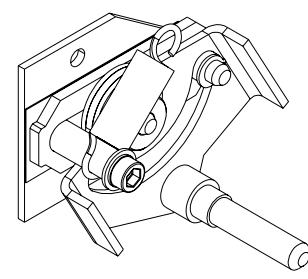
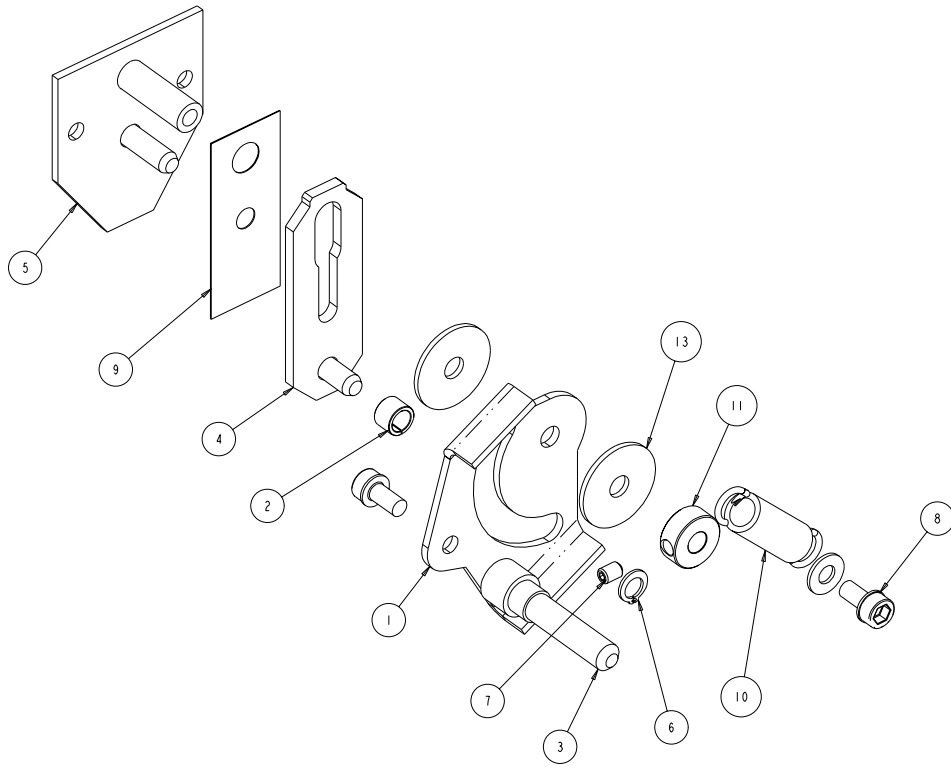
BILL OF MATERIALS

UNLESS OTHERWISE SPECIFIED: DIMENSIONAL TOLERANCES: 0 PLACE DECIMAL = ±0.38 1 PLACE DECIMAL = ±0.25 2 PLACE DECIMALS = ±0.13 ANGLES = ±0.5°	RELEASE DATE:	CE:	2105 GRACY FARMS LANE AUSTIN, TEXAS 78758 (512) 836-2242 FAX (512) 832-4128 ***** http://www.highend.com		
FOR PAINTED PARTS REFER TO ENG. SPEC. MANUAL WI-0592	MATERIAL: CHARTED	FINISH: NA			
MIN. DRAFT	MIN. RADII	MIN. THICKNESS			
MIN. THICKNESS	VOLUME	INTERPRET DIMENSIONS PER ASME Y14.5M-1994 THIRD ANGLE PROJECTION DIMENSIONS ARE IN MILLIMETERS		PART NO. INTERNAL DRAWING NO. DBA025 DO NOT SCALE SCALE: 1:000 SHEET: 1 OF 1	REV. NA

**PROPRIETARY NOTICE:**  
 THIS DOCUMENT CONTAINS CONFIDENTIAL AND PROPRIETARY INFORMATION OF HIGH END SYSTEMS INC., (ALSO DBA LIGHTWAVE RESEARCH) AND IS GIVEN TO THE RECEIVER IN CONFIDENCE. THE RECEIVER ACCEPTS AND AGREES THAT, EXCEPT AS AUTHORIZED BY HIGH END SYSTEMS, THE RECEIVER WILL NOT PERMIT THE USE OF THE DOCUMENT OR ANY COPY THEREOF ON THE INFORMATION THEREIN. WILL NOT COPY OR PERMIT COPYING THE DOCUMENT WILL NOT DISCLOSE TO OTHERS EITHER THE DOCUMENT OR THE INFORMATION THEREIN, AND WILL UPON COMPLETION OF THE NEED TO RETAIN THE DOCUMENT, OR UPON DEMAND, RETURN THE DOCUMENT WITHOUT RETAINING ANY OF THE INFORMATION CONTAINED THEREIN IN ANY FORM WHATSOEVER.

CATA031

REV.	DESCRIPTION	DATE	ENG	ECO #	APPR
3	SCREWS WAS: M4 X 10, NOW M4 X 08 LG	07OCT04	LR		



SCALE 2.000

ITEM NO.	QTY.	FILENAME	PART NO.	REV	DESCRIPTION
13	2	FS221	90706124	-	WASHER, THRUST, 5.2 X 20.0 X 1.27
12	1	WASHER8-FLT	90706009	-	WASHER, #8 FLAT SS .174 X .375 X .032
11	1	SW329	90701187	-	STOP, WHEEL RETAINER
10	1	SPRING360_1120EXT	90701340	-	SPRING, EXTENSION .360 X 1.12 LG
9	1	CAT260	99190084	-	SHIM, TILT LATCH, DLI
8	2	SCREW4AC08BZ	91000408	-	SCREW, M4 SOCKET 08 BZ SEMS
7	1	SCREW6-32AS188BZ	90707093	-	SCREW, 6-32 SOCKET SET 3/16 BO PITCH FT PT
6	1	RING_5MM_EXS	90701299	I	RETAINER RING, EXTERNAL, GROOVELESS 5mm
5	1	CAT180	80071818	-	PLATE, SLIDE BLOCK, TILT STOP COATED DLI
4	1	CAT179	80071817	-	LATCH, TILT STOP COATED DLI
3	1	CAT326	90720008	-	HANDLE, TILT LATCHING C2
2	1	SP369	90719017	-	BUSHING, DU, 5mm x 5mm
1	1	CAT178	80071815	A	ARM, ENGAGING, TILT LOCK COATED DLI

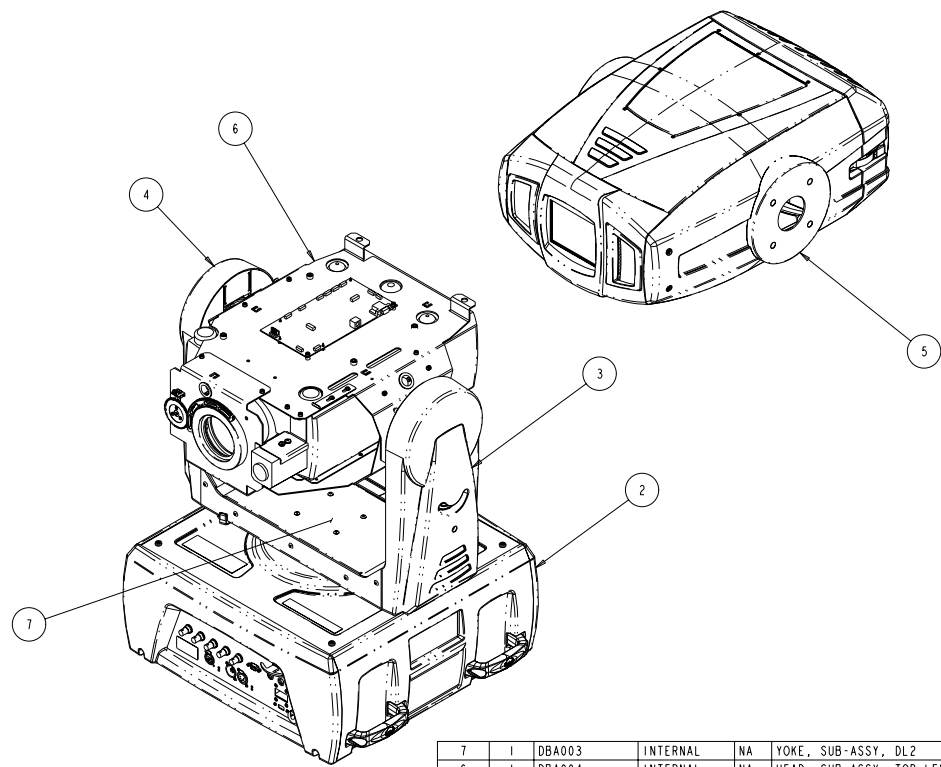
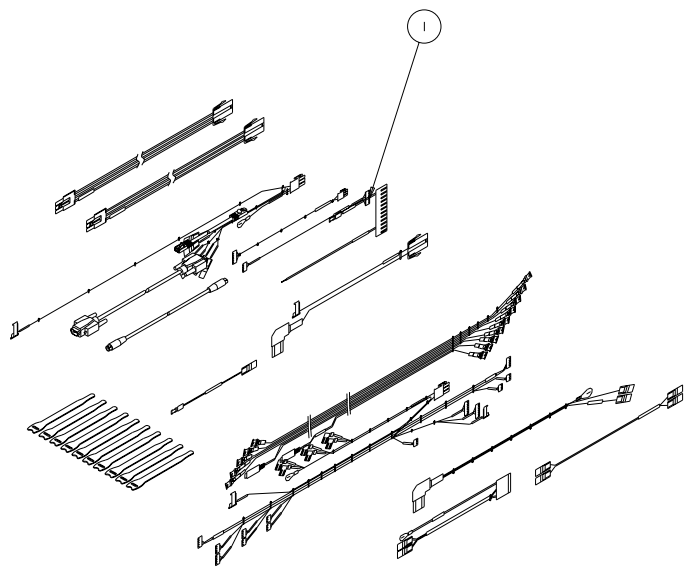
BILL OF MATERIALS

UNLESS OTHERWISE SPECIFIED	RELEASE DATE:	CE:	2105 GRACY FARMS LANE AUSTIN, TEXAS 78758 (512) 836-2242 FAX (512) 832-4128 ***** http://www.highend.com	
DIMENSIONAL TOLERANCES:	ENG:	OA:		
0 PLACE DECIMAL = ±0.38	ME:			
1 PLACE DECIMAL = ±0.25	MEG:	DRW: J MADDOX		
2 PLACE DECIMALS = ±0.13	ANGLES = ±0.5°	DESCRIPTION:	LATCH, ASSY, TILT, DLI	
FOR PAINTED PARTS REFER TO	MATERIAL:	FINISH:		
ENG. SPEC. MANUAL WI-0592	CHARTED	NA		
MIN. DRAFT	INTERPRET DIMENSIONS PER	SI METRIC	PART NO.	DRAWING NO.
MIN. RADII	ASME Y14.5M-1994	A1	INTERNAL	CATA031
FLATNESS	THIRD ANGLE PROJECTION			
THICKNESS	DIMENSIONS ARE IN MILLIMETERS		DO NOT SCALE	SCALE: 2.000
VOLUME				SHEET: 1 OF 1

**PROPRIETARY NOTICE:**  
 THIS DOCUMENT CONTAINS CONFIDENTIAL AND PROPRIETARY INFORMATION OF HIGH END SYSTEMS INC., (ALSO DBA LIGHTWAVE RESEARCH) AND IS GIVEN TO THE RECEIVER IN CONFIDENCE. THE RECEIVER ACCEPTS AND AGREES THAT, EXCEPT AS AUTHORIZED BY HIGH END SYSTEMS, THE RECEIVER WILL NOT PERMIT THE USE OF THE DOCUMENT OR ANY COPY THEREOF OR THE INFORMATION THEREIN, WILL NOT COPY OR PERMIT COPYING THE DOCUMENT WILL NOT DISCLOSE TO OTHERS EITHER THE DOCUMENT OR THE INFORMATION THEREIN, AND WILL UPON COMPLETION OF THE NEED TO RETAIN THE DOCUMENT, OR UPON DEMAND, RETURN THE DOCUMENT WITHOUT RETAINING ANY OF THE INFORMATION CONTAINED THEREIN IN ANY FORM WHATSOEVER.

DBA001

REV.	DESCRIPTION	DATE	ENG	ECO #	APPR



ITEM NO.	QTY.	FILENAME	PART NO.	REV	DESCRIPTION
7	I	DBA003	INTERNAL	NA	YOKE, SUB-ASSY, DL2
6	I	DBA004	INTERNAL	NA	HEAD, SUB-ASSY, TOP LEVEL DL2
5	I	DBA005	INTERNAL	NA	COVERS, SUB-ASSY TOP LEVEL DL2
4	I	CATA056	80480013	-	COVER, ASSY YOKE ARM, LATCH SIDE DL1
3	I	CATA055	80480011	-	COVER, ASSY YOKE ARM DL1
2	I	DBA002	INTERNAL	NA	ASSY, TOP BOX MAIN DL2
1	I	DBA008_MISC	INTERNAL	NA	ASSY, MISC COMPONENTS, DL2

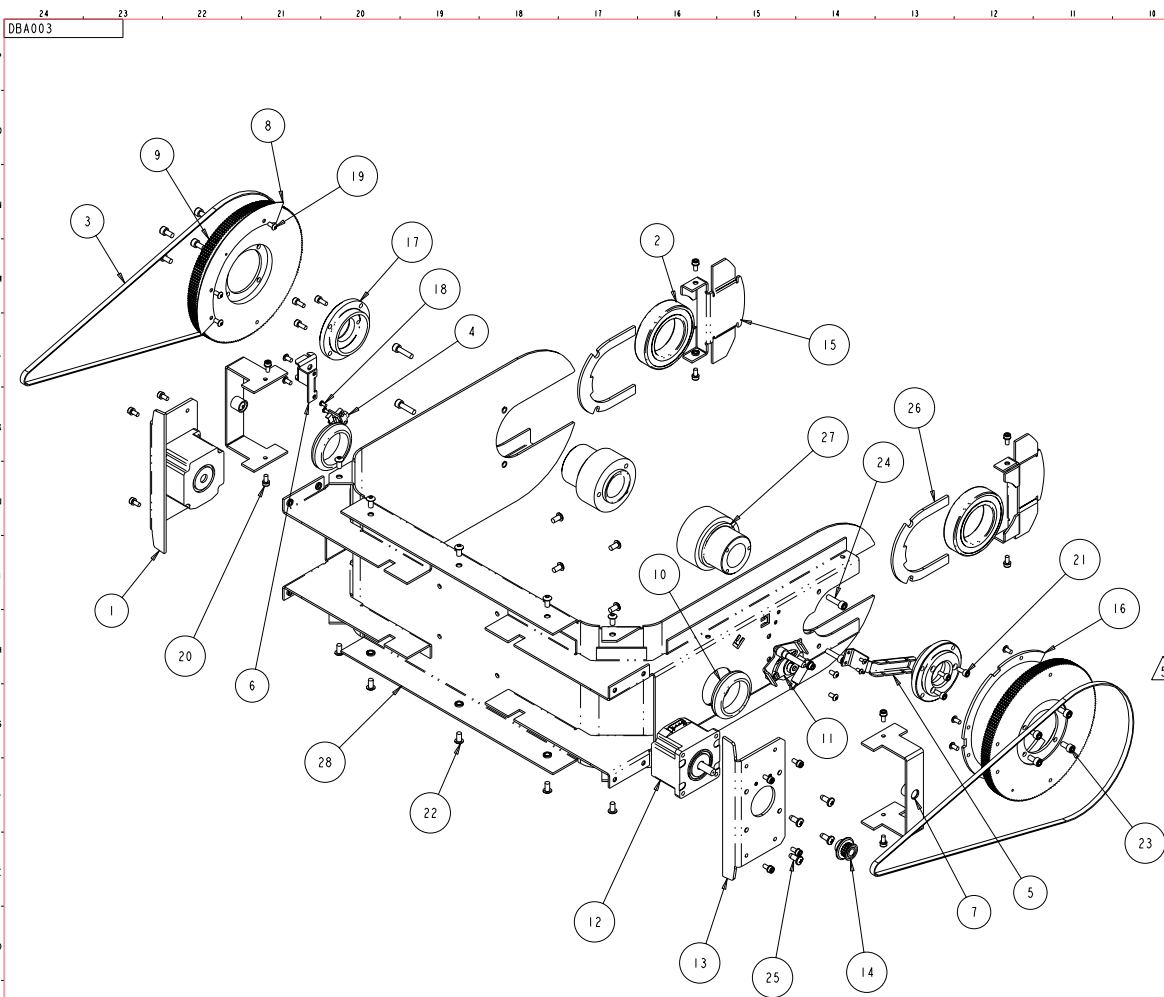
BILL OF MATERIALS

UNLESS OTHERWISE SPECIFIED: DIMENSIONAL TOLERANCES: 0 PLACE DECIMAL = ±0.38 1 PLACE DECIMAL = ±0.25 2 PLACE DECIMALS = ±0.13 ANGLES = ±0.5°	RELEASE DATE: ENG: ME: MEG:	CE: OA: DRW: LARRY R	2105 GRACY FARMS LANE AUSTIN, TEXAS 78758 (512) 836-2242 FAX (512) 832-4128 ***** http://www.highend.com	LIGHTWAVE RESEARCH
FOR PAINTED PARTS REFER TO ENG. SPEC. MANUAL WI-0592	MATERIAL: CHARTED	FINISH: NA	DESCRIPTION: ASSY, TOP LEVEL FIXTURE, DL2	
MIN. DRAFT	MIN. RADII	INTERPRET DIMENSIONS PER ASME Y14.5M-1994 THIRD ANGLE PROJECTION DIMENSIONS ARE IN MILLIMETERS	PART NO. <b>INTERNAL DBA001</b>	DRAWING NO. <b>DBA001</b>
FLATNESS	THICKNESS	VOLUME	DO NOT SCALE	SCALE: 0.250
			SHEET: 1 OF 1	REV. NA

**PROPRIETARY NOTICE:**  
 THIS DOCUMENT CONTAINS CONFIDENTIAL AND PROPRIETARY INFORMATION OF HIGH END SYSTEMS INC., (ALSO DBA LIGHTWAVE RESEARCH) AND IS GIVEN TO THE RECEIVER IN CONFIDENCE. THE RECEIVER ACCEPTS AND AGREES THAT, EXCEPT AS AUTHORIZED BY HIGH END SYSTEMS, THE RECEIVER WILL NOT PERMIT THE USE OF THE DOCUMENT OR ANY COPY THEREOF OR THE INFORMATION THEREIN, WILL NOT COPY OR PERMIT COPYING THE DOCUMENT WILL NOT DISCLOSE TO OTHERS EITHER THE DOCUMENT OR THE INFORMATION THEREIN, AND WILL UPON COMPLETION OF THE NEED TO RETAIN THE DOCUMENT, OR UPON DEMAND, RETURN THE DOCUMENT WITHOUT RETAINING ANY OF THE INFORMATION CONTAINED THEREIN IN ANY FORM WHATSOEVER.



DBA003



REV.	DESCRIPTION	DATE	ENG	ECO #	APPR
1	CREATE DRAWING				
2	CHANGE OUT SCREWS PER PRODUCTION REQUEST	16SEP04	LR		
3	INCORPORATE SIMPLIFIED VERSION OF ENCODER SENS	26OCT04	LR		
4	REVERTED BACK TO ORIGINAL ENCODER DESIGN	23NOV04	DF		
5	REMOVED PN: 80071816 ADDED PN: 80071874	31MAY05	DF		

ITEM NO.	QTY.	FILENAME	PART NO.	REV	DESCRIPTION
28	1	DBA016	80071853	-	YOKE, WELDED ASSY PAINTED DL2
27	2	CAT327	99140018	A	TUBE, TILT CATALYST HEAD, DL1
26	2	CAT187	99260425	-	STOP, TILT TUBE, DL1
25	4	SCREW10-14PPF500	90709062	-	SCREW, PHIL PAN #10 X 1/2 PLASTITE SZ
24	4	SCREWS5AC20SSP	91100520	-	SCREW, M5 SOCKET 20 SS W/PATCH
23	8	SCREWS5AC10SSP	91100510	-	SCREW, M5 SOCKET 10 SS, W/PATCH
22	14	SCREWS5AB10BZP	91010510	-	SCREW, M5 BUTTON 10 BZ W/PATCH
21	6	SCREWM4AC10BZP	91050410	-	SCREW, M4 SOCKET CAP 10 BZ W/PATCH
20	16	SCREWM4AC08BZ	91000408	-	SCREW, M4 SOCKET 08 BZ SEMS
19	11	SCREWM4AB08BZP	91010408	-	SCREW, M4 BUTTON 08 BZ W/PATCH
18	4	SCREWM3AB06BZ	91010306	-	SCREW, M3 BUTTON 06 BZ NYTEMP
17	2	CAT328	99360041	-	PULLEY, ADAPTOR, TILT, DL1
16	1	DB160	80071874	A	PLATE, YOKE LOCK 2 POS COATED DL2
15	2	CAT181	80071806	C	PLATE, TILT BEARING RETAINER BLK DL1
14	1	DB335	99430118	-	PINION, ASSY 17T 3MM HTD
13	1	DB142	99260463	-	MOUNT, TYPE 23 MOTOR DL-2
12	1	MRD60	99270035	-	MOTOR, STEP 3PH S60 22.5MM SHAFT JS
11	1	CATA031	INTERNAL	NA	LATCH, ASSY, TILT, DL1
10	2	GROMMET_1.50_ID	90410146	-	GROMMET, 1.50 ID x 2.13 OD RUBBER
9	2	CAT317	99430107	A	GEAR, PULLEY, 17OT TILT/PAN DRIVE, DL1
8	1	CAT183	99360042	-	FLANGE, TILT SENSOR, DL1
7	2	CAT186	99260424	A	BRACKET, YOKE ARM COVER RETAINER DL1
6	1	CAT198	99263113	B	BRACKET, WIRE GUIDE, RIGHT, DL1
5	1	CAT197	99263112	-	BRACKET, WIRE GUIDE, LEFT, DL1
4	1	FS709	80040022	-	BOARD, ASSY ME46 FLAG HOMING SENSOR
3	2	CAT507	99360039	-	BELT, TIMING, TILT, 300 GROOVE 6MM
2	2	BEARING_45-75MM_BALL	90719061	-	BALL BEARING 45.0 x 75.0 X 16.0 MM
1	1	DBA025	INTERNAL	NA	ASSY, TILT DRIVE, W-ENCODER

UNLESS OTHERWISE SPECIFIED: RELEASE DATE: CE: High End 2105 GRACY FARMS LANE  
 DIMENSIONAL TOLERANCES: ENG: OA: AUSTIN, TEXAS 78758  
 0 PLACE DECIMAL = ±0.38 ME: (512) 836-2242  
 1 PLACE DECIMAL = ±0.25 MEG: FAK (512) 832-4128  
 2 PLACE DECIMALS = ±0.13 ANGLS = ±0.5° MEG: DRW: S. HANSEN \*\*\*\*\* http://www.highend.com  
 LIGHTWAVE RESEARCH

FOR PAINTED PARTS REFER TO ENG. SPEC. MANUAL WI-0592 MATERIAL: CHARTED FINISH: NA

MIN. DRAFT INTERPRET DIMENSIONS PER ASME Y14.5M-1994 THIRD ANGLE PROJECTION DIMENSIONS ARE IN MILLIMETERS

SI METRIC A1 PART NO. INTERNAL DBA003 REV. NA

DO NOT SCALE SCALE: 0.400 SHEET: 1 OF 1

PROPRIETARY NOTICE:  
 THIS DOCUMENT CONTAINS CONFIDENTIAL AND PROPRIETARY INFORMATION OF HIGH END SYSTEMS INC., (ALSO DBA LIGHTWAVE RESEARCH) AND IS GIVEN TO THE RECEIVER IN CONFIDENCE. THE RECEIVER ACCEPTS AND AGREES THAT, EXCEPT AS AUTHORIZED BY HIGH END SYSTEMS, THE RECEIVER WILL NOT PERMIT THE USE OF THE DOCUMENT OR ANY COPY THEREOF ON THE INFORMATION THEREIN. WILL NOT COPY OR PERMIT COPYING THE DOCUMENT WILL NOT DISCLOSE TO OTHERS EITHER THE DOCUMENT OR THE INFORMATION THEREIN, AND WILL UPON COMPLETION OF THE NEED TO RETAIN THE DOCUMENT, OR UPON DEMAND, RETURN THE DOCUMENT WITHOUT RETAINING ANY OF THE INFORMATION CONTAINED THEREIN IN ANY FORM WHATSOEVER.